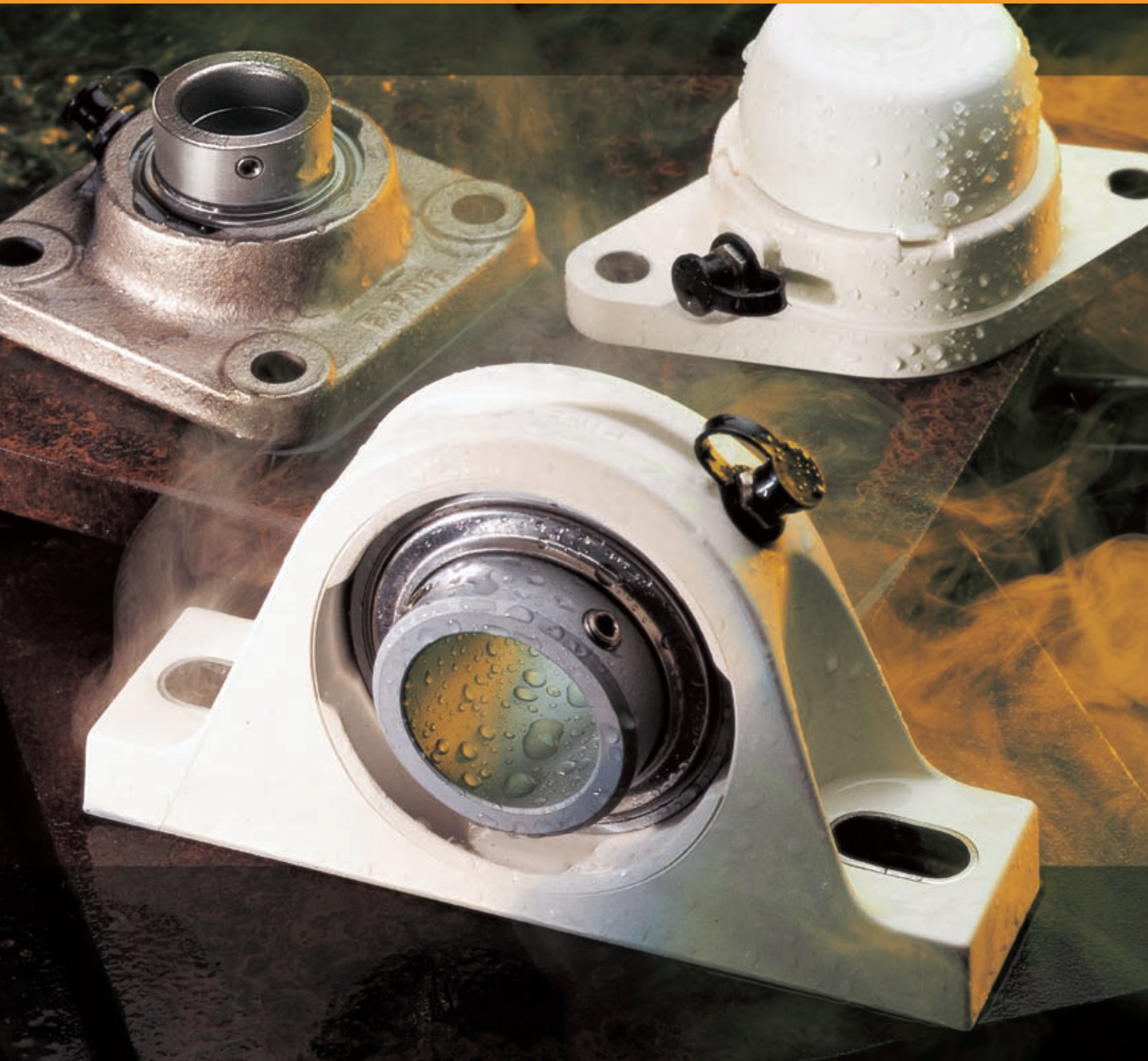


TIMKEN
Where You Turn

Timken® Survivor® Series
Corrosion Resistant Housed Units



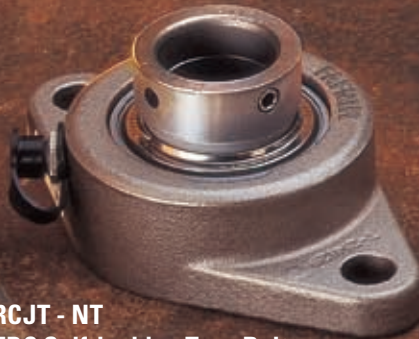
YAS - PT
TDC Setscrew Lock
Pillow Block



YCJT - PT
TDC Setscrew Lock Two-Bolt Flange



KCJT - PS
Stainless Steel
Setscrew Lock Two-Bolt Flange



RCJT - NT
TDC Self-locking Two-Bolt
Flange with Nickel-Plating



YFB - PT
TDC Setscrew Lock
Flange Bracket

YCJ - PT
TDC Setscrew Lock
Four-Bolt Flange



KAK - PS
Stainless Steel Setscrew Lock Pillow Block



EC
Protective End Cover for use with
all polymer housing styles

THE SUPERIOR SOLUTION FOR CORROSIVE APPLICATIONS

SURVIVOR UNIT SELECTION GUIDE FEATURING TIMKEN FAFNIR® BALL BEARINGS

Survivor Unit Nomenclature

Example: YCJT 1 ³/₁₆ PT

Y

Insert Type:

- Y = setscrew lock
- R = self-locking collar
- K = light-duty, setscrew lock

1 ³/₁₆

Shaft Size:

- 1 ³/₁₆ = 1 ³/₁₆"
- 25 = 25mm

CJT

Housing Style:

- AK = low base pillow block
- AS = high base pillow block
- CJ = four-bolt flange
- CJT = two-bolt flange
- TB = tapped base pillow block
- FB = flanged bracket
- TU = take-up unit

PT

Series Type:

- PT = polymer housing, TDC coated insert
- NT = nickel-plated housing, TDC coated insert
- PS = polymer housing, stainless steel insert

	FREQUENT WASHDOWNS	LOW SPEED OR LIGHT LOADS	FULL RANGE SPEED/LOAD	SINGLE-DIRECTION ROTATION	REVERSING-DIRECTION ROTATION	LARGE SIZES AVAILABLE
Y-PT SURVIVOR PT with setscrew lock pages 4-6	●		●		●	
R-PT SURVIVOR PT with self-locking collar pages 4-5	●		●	●		
K-PS SURVIVOR PS with light-duty stainless steel, setscrew lock bearings page 10	●	●			●	
R-NT SURVIVOR NT with self-locking collar pages 7-9	●		●	●		●

COMMON APPLICATIONS FOR SURVIVOR BEARINGS

Food Applications

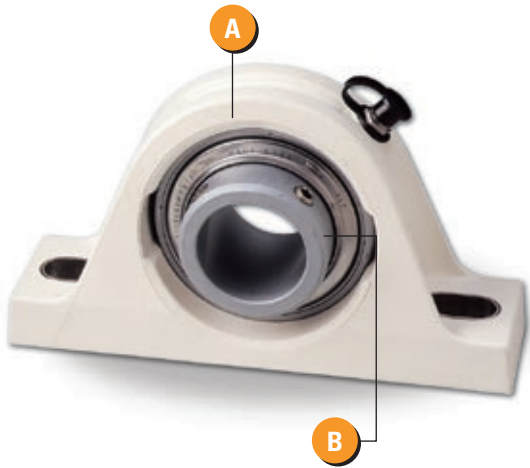
- Packaging and Processing
- Beverage Bottling
- Dairies
- Beef, Pork, Poultry and Fish Processing
- Fruit and Vegetable Processing
- Bakeries

Other Applications

- Chemical & Rubber Processing
- Pharmaceutical Industries
- Paper Mills
- Car Washes
- Material Handling
- Maritime Applications
- Highway Salt & Sand Trucks
- Wastewater Treatment Facilities

TIMKEN SURVIVOR PT HOUSED UNITS

Y-PT Setscrew Lock Series for Reversing-Direction Rotation
R-PT Self-locking Series for Single-Direction Rotation



A Durable Corrosion Proof Polymer Housing:

- Stainless steel crush bushings in mounting holes
- Stainless steel grease fitting with nylon cap
- Polymer resists a broad range of acids and alkalis, as well as steam and continuous temperature up to 250°F (and brief exposure up to 320°F)
- Polymer strength exceeds static capacity of bearing; housing retains proper bearing fit and resists shock loads
- Flush base contains no voids where bacteria can collect

B Corrosion Resistant Insert Bearing:

- Coated insert bearing
- Stainless steel balls with nylon retainer
- Industrial duty contact seals with stainless steel shroud caps
- Stainless steel lock collar for self-locking series
- Stainless steel setscrews for setscrew lock series
- Factory lubricated with FDA/USDA approved grease (class H1 lubricant) for incidental food contact

C End Covers:

- End covers further protect insert bearing from direct contact with washdown solutions and cover rotating components

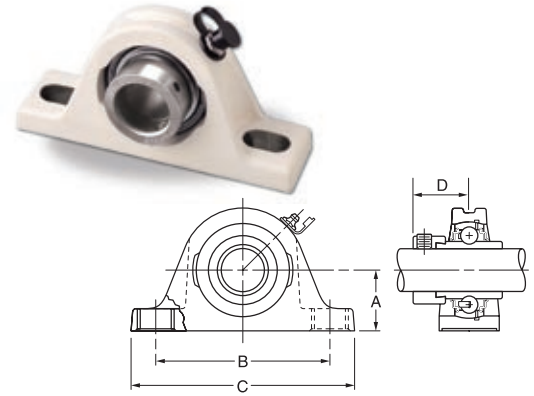
END COVERS	
TIMKEN FAFNIR END COVER P/N	FOR SHAFT SIZES
204EC	3/4", 20 mm
205EC	1", 25 mm
206EC	1 3/16", 1 1/4S", 30 mm
207EC	1 1/4", 1 7/16", 35 mm
208EC	1 1/2", 40 mm

Note: End covers available for polymer units only and are ordered separately.

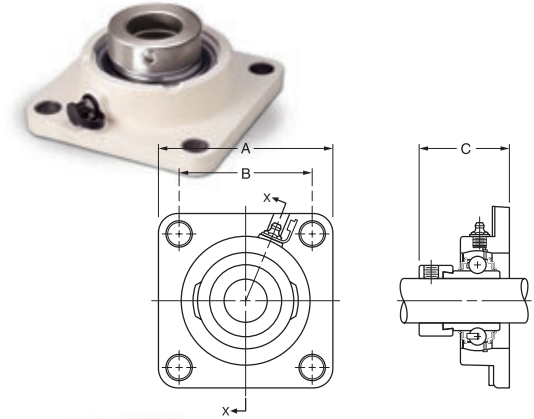
FDA/USDA Approval: All materials, including lubricant, comply with all applicable federal food processing requirements.

TIMKEN SURVIVOR PT HOUSED UNITS

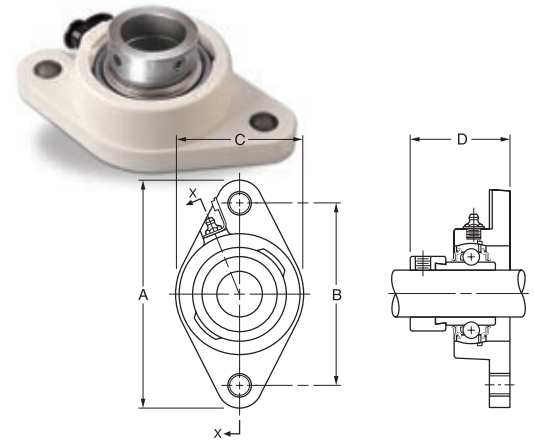
Timken Fafnir P/N	Insert Fafnir Bearing P/N	RAK A	RAS A	B	C	D	LOAD RATINGS		Limiting Speed (RPM)		
							Static lbs.	Dynamic lbs.			
RAK 3/4	PT	G1012KRRB	TDCF	1.25	1.31	3.78	5.00	1.05	1,460	3,250	9,200
RAK 1	PT	G1100KRRB	TDCF	1.31	1.44	4.12	5.50	1.06	1,730	3,550	6,900
RAK 1 3/16	PT	G1103KRRB	TDCF	1.56	1.69	4.62	6.19	1.19	2,500	4,900	5,800
RAK 1 1/4S	PT	G1103KRRB3	TDCF	1.56	1.69	4.62	6.19	1.19	2,500	4,900	5,500
RAK 1 1/4	PT	G1104KRRB	TDCF	1.81	1.88	5.12	6.56	1.27	3,400	6,400	5,500
RAK 1 7/16	PT	G1107KRRB	TDCF	1.81	1.88	5.12	6.56	1.27	3,400	6,400	4,800
RAK 1 1/2	PT	G1108KRRB	TDCF	1.94	1.94	5.37	7.06	1.37	4,400	8,150	4,600



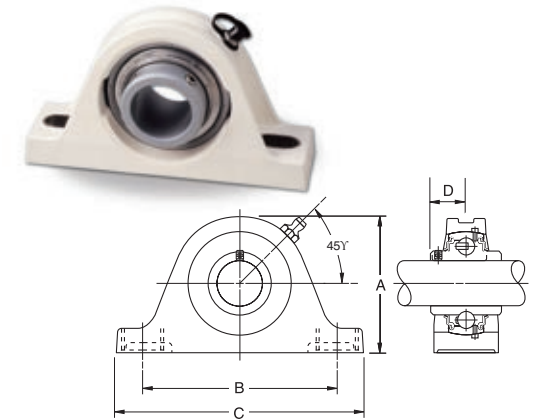
Timken Fafnir P/N	A	B	C	LOAD RATINGS		Limiting Speed (RPM)	
				Static lbs.	Dynamic lbs.		
RCJ 3/4	PT	3.37	2.50	1.78	1,460	3,250	9,200
RCJ 1	PT	3.75	2.75	1.81	1,730	3,550	6,900
RCJ 1 3/16	PT	4.25	3.25	1.93	2,500	4,900	5,800
RCJ 1 1/4S	PT	4.25	3.25	1.93	2,500	4,900	5,500
RCJ 1 1/4	PT	4.62	3.62	2.08	3,400	6,400	5,500
RCJ 1 7/16	PT	4.62	3.62	2.08	3,400	6,400	4,800
RCJ 1 1/2	PT	5.12	4.00	2.31	4,400	8,150	4,600



Timken Fafnir P/N	A	B	C	D	LOAD RATINGS		Limiting Speed (RPM)	
					Static lbs.	Dynamic lbs.		
RCJT 3/4	PT	4.41	3.53	2.38	1.78	1,460	3,250	9,200
RCJT 1	PT	4.88	3.89	2.75	1.81	1,730	3,550	6,900
RCJT 1 3/16	PT	5.56	4.59	3.12	1.93	2,500	4,900	5,800
RCJT 1 1/4S	PT	5.56	4.59	3.12	1.93	2,500	4,900	5,500
RCJT 1 1/4	PT	6.12	5.12	3.62	2.08	3,400	6,400	5,500
RCJT 1 7/16	PT	6.12	5.12	3.62	2.08	3,400	6,400	4,800
RCJT 1 1/2	PT	6.75	5.66	4.12	2.31	4,400	8,150	4,600

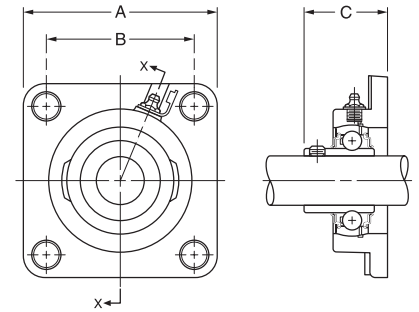


Timken Fafnir P/N	Insert Bearing P/N	YAS A	YAK A	B	C	D	LOAD RATINGS		Limiting Speed (RPM)		
							Static lbs.	Dynamic lbs.			
YAS 3/4	PT	GY1012KRRB	TDCF	1.31	1.25	3.78	5.00	0.72	1,460	3,250	9,200
YAS 1	PT	GY1100KRRB	TDCF	1.44	1.31	4.12	5.50	0.78	1,730	3,550	6,900
YAS 1 3/16	PT	GY1103KRRB	TDCF	1.69	1.56	4.62	6.19	0.87	2,500	4,900	5,800
YAS 1 1/4S	PT	GY1103KRRB3	TDCF	1.69	1.56	4.62	6.19	0.87	2,500	4,900	5,500
YAS 1 1/4	PT	GY1104KRRB	TDCF	1.88	1.81	5.12	6.56	1.00	3,400	6,400	5,500
YAS 1 7/16	PT	GY1107KRRB	TDCF	1.88	1.81	5.12	6.56	1.00	3,400	6,400	4,800
YAS 1 1/2	PT	GY1108KRRB	TDCF	1.94	1.94	5.37	7.06	1.19	4,400	8,150	4,600
Metric Series											
YAS 20	PT	GYE20KRRB	TDCF	1.31	-	3.78	5.00	0.72	1,460	3,250	8,800
YAS 25	PT	GYE25KRRB	TDCF	1.44	-	4.12	5.50	0.78	1,730	3,550	7,000
YAS 30	PT	GYE30KRRB	TDCF	1.69	-	4.62	6.19	0.87	2,500	4,900	5,800
YAS 35	PT	GYE35KRRB	TDCF	1.88	-	5.12	6.56	1.00	3,400	6,400	5,000
YAS 40	PT	GYE40KRRB	TDCF	1.94	-	5.37	7.06	1.19	4,400	8,150	4,400

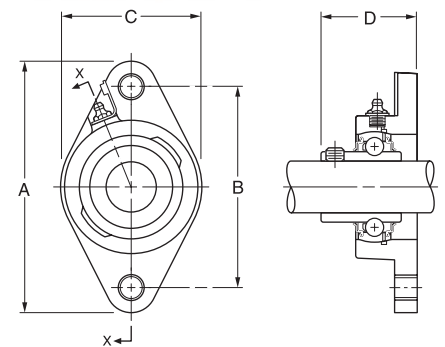


Note: All dimensions shown are in inches.

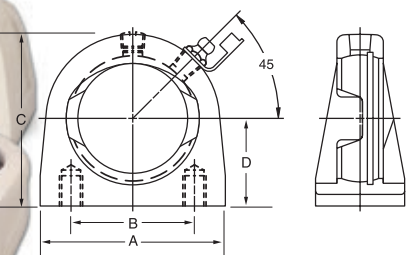
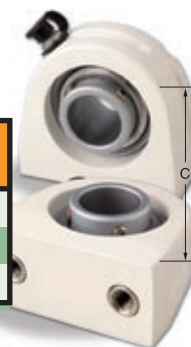
					LOAD RATINGS		
Timken Fafnir P/N		A	B	C	Static lbs.	Dynamic lbs.	Limiting Speed (RPM)
YCJ 3/4	PT	3.37	2.50	1.46	1,460	3,250	9,200
YCJ 1	PT	3.75	2.75	1.53	1,730	3,550	6,900
YCJ 1 3/16	PT	4.25	3.25	1.62	2,500	4,900	5,800
YCJ 1 1/4S	PT	4.25	3.25	1.62	2,500	4,900	5,500
YCJ 1 1/4	PT	4.62	3.62	1.81	3,400	6,400	5,500
YCJ 1 7/16	PT	4.62	3.62	1.81	3,400	6,400	4,800
YCJ 1 1/2	PT	5.12	4.00	2.12	4,400	8,150	4,600
Metric Series							
YCJ 20	PT	3.37	2.50	1.46	1,460	3,250	8,800
YCJ 25	PT	3.75	2.75	1.53	1,730	3,550	7,000
YCJ 30	PT	4.25	3.25	1.62	2,500	4,900	5,800
YCJ 35	PT	4.62	3.62	1.81	3,400	6,400	5,000
YCJ 40	PT	5.12	4.00	2.12	4,400	8,150	4,400



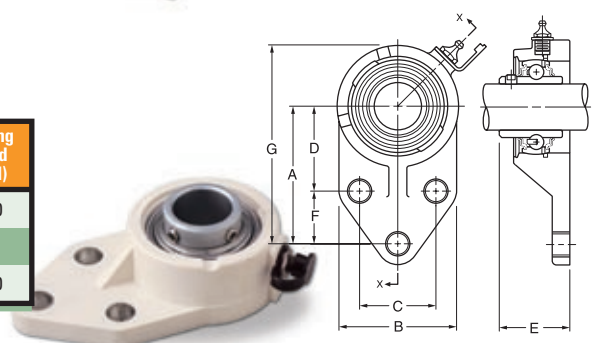
						LOAD RATINGS		
Timken Fafnir P/N		A	B	C	D	Static lbs.	Dynamic lbs.	Limiting Speed (RPM)
YCJT 3/4	PT	4.41	3.53	2.38	1.46	1,460	3,250	9,200
YCJT 1	PT	4.88	3.89	2.75	1.53	1,730	3,550	6,900
YCJT 1 3/16	PT	5.56	4.59	3.12	1.62	2,500	4,900	5,800
YCJT 1 1/4S	PT	5.56	4.59	3.12	1.62	2,500	4,900	5,500
YCJT 1 1/4	PT	6.12	5.12	3.62	1.81	3,400	6,400	5,500
YCJT 1 7/16	PT	6.12	5.12	3.62	1.81	3,400	6,400	4,800
YCJT 1 1/2	PT	6.75	5.66	4.12	2.12	4,400	8,150	4,600
Metric Series								
YCJT 20	PT	4.41	3.53	2.38	1.46	1,460	3,250	8,800
YCJT 25	PT	4.88	3.89	2.75	1.53	1,730	3,550	7,000
YCJT 30	PT	5.56	4.59	3.12	1.62	2,500	4,900	5,800
YCJT 35	PT	6.12	5.12	3.62	1.81	3,400	6,400	5,000
YCJT 40	PT	6.75	5.66	4.12	2.12	4,400	8,150	4,400



						LOAD RATINGS		
Timken Fafnir P/N		A	B	C	D	Static lbs.	Dynamic lbs.	Limiting Speed (RPM)
YTB 1	PT	3.0	2.0	2.80	1.41	1,730	3,550	6,900
Metric Series								
YTB 25	PT	3.0	2.0	2.80	1.41	1,730	3,550	7,000



									LOAD RATINGS		Limiting Speed (RPM)	
Timken Fafnir P/N	Basic Outer Ring Size	A	B	C	D	E	F	G	Static lbs.	Dynamic lbs.		
YFB 1	PT	205	3.38	2.50	1.62	1.81	1.50	1.12	4.67	1,560	3,450	6,900
Metric Series												
YFB 25	PT	205	3.38	2.50	1.62	1.81	1.50	1.12	4.67	1,560	3,450	7,000



Note: All dimensions shown are in inches.

TIMKEN SURVIVOR NT HOUSED UNITS

LARGEST VARIETY OF CONFIGURATIONS AND SHAFT SIZES:

- Timken Survivor NT, featuring Fafnir ball bearings, is available in popular sizes from 1/2" to 2 15/16"
- Survivor NT units are available as RAK/RAS pillow blocks, RCJ/RCJT flange units and RTU take-up units



A Corrosion Resistant Housing:

- Electroless nickel-plated housing with stainless steel grease fitting and protective cap withstands corrosion and prevents contamination

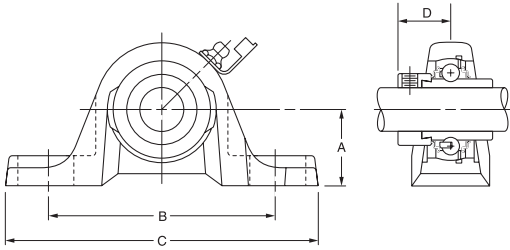
B Corrosion Resistant Insert Bearing:

- Coated insert bearing
- Stainless steel balls with nylon retainer
- Industrial duty contact seals with stainless steel shroud caps
- Stainless steel self-locking collar
- Factory lubricated with FDA/USDA approved grease (class H1 lubricant) for incidental food contact

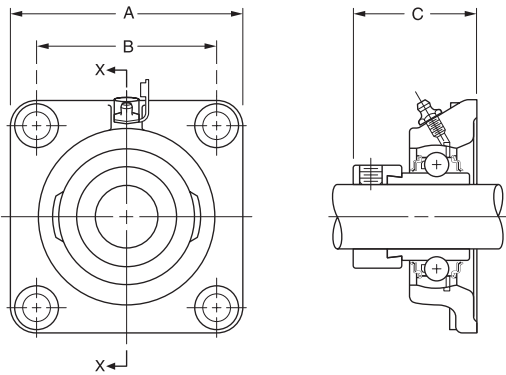


FDA/USDA Approval: All materials, including lubricant, comply with all applicable federal food processing requirements.

TIMKEN SURVIVOR NT HOUSED UNITS



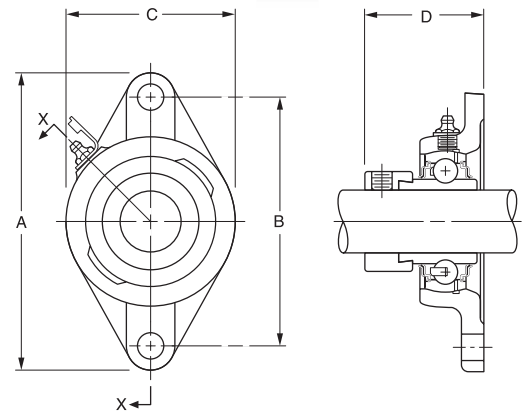
Timken Fafnir P/N	Insert Bearing P/N	TDCF	RAK A	RAS A	B	C	D	LOAD RATINGS		Limiting Speed (RPM)	
								Static lbs.	Dynamic lbs.		
RAK 1/2	NT	G1008KRRB	TDCF	1.06	1.19	3.62	4.87	0.92	1,060	2,400	13,800
RAK 5/8	NT	G1010KRRB	TDCF	1.06	1.19	3.62	4.87	0.92	1,060	2,400	11,000
RAK 3/4	NT	G1012KRRB	TDCF	1.25	1.31	3.78	5.00	1.05	1,460	3,250	9,200
RAK 1	NT	G1100KRRB	TDCF	1.31	1.44	4.12	5.50	1.06	1,730	3,550	6,900
RAK 1 3/16	NT	G1103KRRB	TDCF	1.56	1.69	4.62	6.19	1.18	2,500	4,900	5,800
RAK 1 1/4S	NT	G1103KRRB3	TDCF	1.56	1.69	4.62	6.19	1.18	2,500	4,900	5,500
RAK 1 1/4	NT	G1104KRRB	TDCF	1.81	1.87	5.12	6.56	1.28	3,400	6,400	5,500
RAK 1 7/16	NT	G1107KRRB	TDCF	1.81	1.87	5.12	6.56	1.28	3,400	6,400	4,800
RAK 1 1/2	NT	G1108KRRB	TDCF	1.94	1.94	5.37	7.06	1.37	4,400	8,150	4,600
RAK 1 11/16	NT	G1111KRRB	TDCF	2.06	2.12	5.87	7.53	1.37	4,500	8,150	4,100
RAK 1 3/4	NT	G1112KRRB	TDCF	2.06	2.12	5.87	7.53	1.37	4,500	8,150	3,900
RAK 1 15/16	NT	G1115KRRB	TDCF	2.19	2.25	6.22	7.87	1.50	5,100	8,800	3,600
RAK 2	NT	G1200KRRB	TDCF	2.44	2.50	6.94	8.75	1.72	6,400	10,800	3,400
RAK 2 3/16	NT	G1203KRRB	TDCF	2.44	2.50	6.94	8.75	1.72	6,400	10,800	3,100
RAK 2 7/16	NT	G1207KRRB	TDCF	2.69	—	7.41	9.44	1.84	8,000	13,200	2,800
RAK 2 11/16	NT	G1211KRRB	TDCF	3.00	—	8.00	10.50	1.78	9,650	15,600	2,600
RAK 2 15/16	NT	G1215KRRB	TDCF	3.31	—	9.50	12.00	2.16	9,800	15,600	2,300



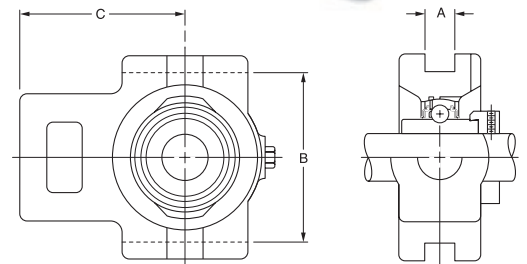
Timken Fafnir P/N	A	B	C	LOAD RATINGS		Limiting Speed (RPM)	
				Static lbs.	Dynamic lbs.		
RCJ 1/2	NT	3.00	2.12	1.58	1,060	2,400	13,800
RCJ 5/8	NT	3.00	2.12	1.58	1,060	2,400	11,000
RCJ 3/4	NT	3.37	2.50	1.80	1,460	3,250	9,200
RCJ 1	NT	3.75	2.76	1.81	1,730	3,550	6,900
RCJ 1 3/16	NT	4.25	3.25	1.97	2,500	4,900	5,800
RCJ 1 1/4S	NT	4.25	3.25	1.97	2,500	4,900	5,500
RCJ 1 1/4	NT	4.62	3.62	2.09	3,400	6,400	5,500
RCJ 1 7/16	NT	4.62	3.62	2.09	3,400	6,400	4,800
RCJ 1 1/2	NT	5.12	4.00	2.31	4,400	8,150	4,600
RCJ 1 11/16	NT	5.37	4.12	2.31	4,500	8,150	4,100
RCJ 1 3/4	NT	5.37	4.12	2.31	4,500	8,150	3,900
RCJ 1 15/16	NT	5.62	4.37	2.59	5,100	8,800	3,600
RCJ 2	NT	6.37	5.12	2.94	6,400	10,800	3,400
RCJ 2 3/16	NT	6.37	5.12	2.94	6,400	10,800	3,100
RCJ 2 7/16	NT	6.87	5.62	3.19	8,000	13,200	2,800
RCJ 2 11/16	NT	7.37	5.87	3.50	9,650	15,600	2,600
RCJ 2 15/16	NT	7.75	6.00	3.78	9,800	15,600	2,300

Note: All dimensions shown are in inches.

Timken Fafnir P/N		A	B	C	D	LOAD RATINGS		Limiting Speed (RPM)
						Static lbs.	Dynamic lbs.	
RCJT 1/2	NT	3.87	3.00	2.37	1.58	1,060	2,400	13,800
RCJT 5/8	NT	3.87	3.00	2.37	1.58	1,060	2,400	11,000
RCJT 3/4	NT	4.41	3.53	2.56	1.80	1,460	3,250	9,200
RCJT 1	NT	4.87	3.91	2.75	1.78	1,730	3,550	6,900
RCJT 1 3/16	NT	5.56	4.59	3.12	1.97	2,500	4,900	5,800
RCJT 1 1/4S	NT	5.56	4.59	3.12	1.97	2,500	4,900	5,500
RCJT 1 1/4	NT	6.12	5.12	3.62	2.09	3,400	6,400	5,500
RCJT 1 7/16	NT	6.12	5.12	3.62	2.09	3,400	6,400	4,800
RCJT 1 1/2	NT	6.75	5.66	4.12	2.31	4,400	8,150	4,600
RCJT 1 11/16	NT	7.06	5.83	4.37	2.31	4,500	8,150	4,100
RCJT 1 3/4	NT	7.06	5.83	4.37	2.31	4,500	8,150	3,900
RCJT 1 15/16	NT	7.44	6.19	4.56	2.59	5,100	8,800	3,600
RCJT 2	NT	8.50	7.25	5.00	2.94	6,400	10,800	3,400
RCJT 2 3/16	NT	8.50	7.25	5.00	2.94	6,400	10,800	3,100

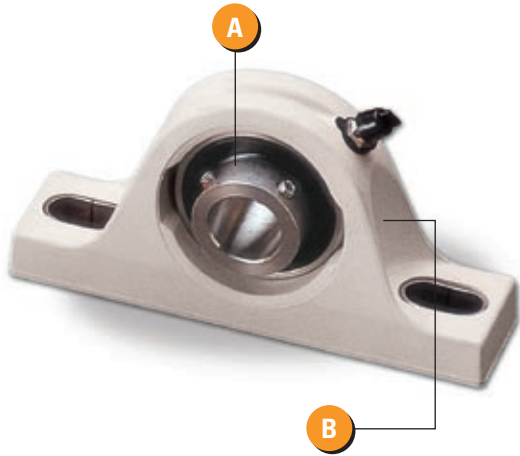


Timken Fafnir P/N		A	B	C	LOAD RATINGS		Limiting Speed (RPM)
					Static lbs.	Dynamic lbs.	
RTU 1	NT	0.53	3.00	0.75	1,730	3,450	6,900
RTU 1 3/16	NT	0.53	3.50	0.88	2,500	4,900	5,800
RTU 1 1/4	NT	0.53	3.50	0.88	3,400	6,400	5,500
RTU 1 7/16	NT	0.53	3.50	0.88	3,400	6,400	4,800
RTU 1 1/2	NT	0.69	3.97	1.13	4,400	8,150	4,600
RTU 1 15/16	NT	0.69	3.97	1.13	5,100	8,800	3,600
RTU 2 3/16	NT	1.06	5.09	1.38	6,400	10,800	3,100



Note: All dimensions shown are in inches.

TIMKEN SURVIVOR PS HOUSED UNITS



A Stainless Steel Bearing Insert:

- 300 series stainless steel insert provides the highest resistance to corrosion in the industry
- Specifically designed for light loads and low speeds
- Stainless steel setscrews

B Durable Corrosion Proof Polymer Housing:

- Stainless steel crush bushings in mounting holes
- Stainless steel grease fitting with nylon cap
- Polymer resists a broad range of acids and alkalis, as well as steam and continuous temperature up to 250°F (and brief exposure up to 320°F)
- Polymer strength exceeds static capacity of bearing; housing retains proper bearing fit and resists shock loads
- Flush base contains no voids where bacteria can collect



C End Covers:

- End covers further protect insert bearing from direct contact with washdown solutions and cover rotating components

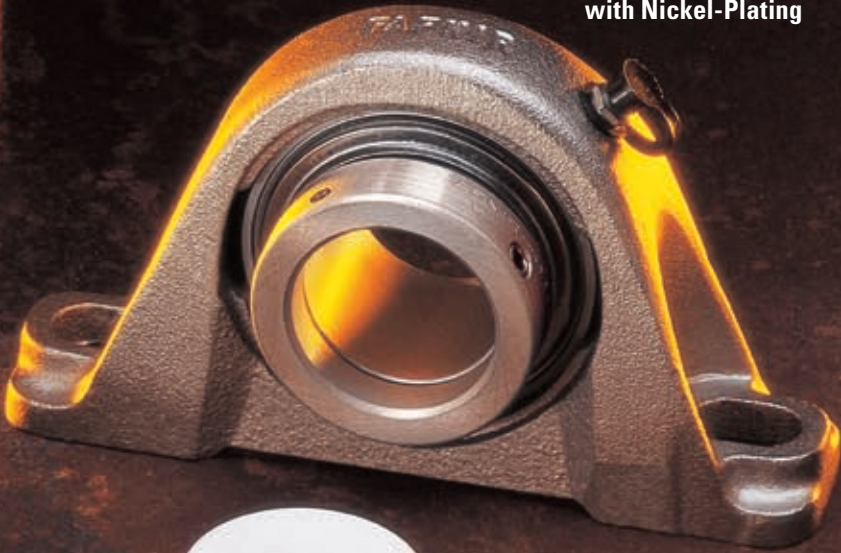


	PILLOW BLOCKS			FLANGES			Corresponding End Cover p/n
	High Base	Low Base	Tapped Base	Two-Bolt	Four-Bolt	Bracket	
3/4	●	●	–	●	●	–	204EC
1	●	●	●	●	●	●	205EC
1 3/16	●	●	–	●	●	–	206EC
1 1/4	●	●	–	●	●	–	207EC
1 7/16	●	●	–	●	●	–	207EC
Example p/n:	KAS 1 PS	KAK 1 PS	KTB 1 PS	KCJT 1 PS	KCJ 1 PS	KFB 1 PS	

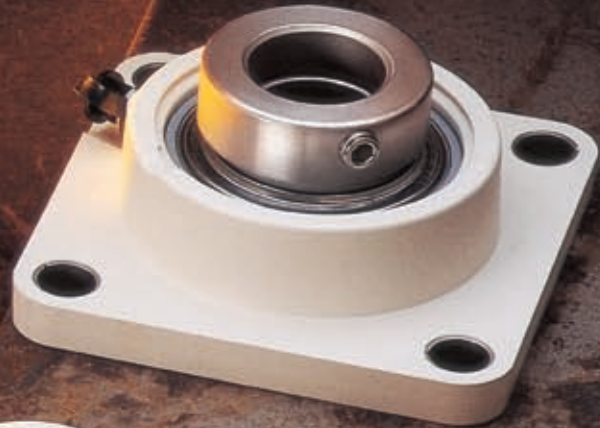
FDA/USDA Approval: All materials, including lubricant, comply with all applicable federal food processing requirements.



RAK - NT
TDC Self-locking Pillow Block
with Nickel-Plating



RCJ - PT
TDC Self-locking
Four-Bolt Flange



KAS - PS
Stainless Steel Setscrew
Lock Pillow Block



YCJT - PT
TDC Setscrew Lock Two-Bolt
Flange (with protective end cover)



YTB - PT
TDC Setscrew Lock Tapped
Base Pillow Block



GY - KRRB TDCF
TDC Setscrew Lock Replacement
Bearing Insert



RTU - NT
TDC Self-locking Take-Up Unit
with Nickel-Plating

TIMKEN

Where You Turn

Bearings • Steel •
Precision Components • Lubrication •
Seals • Remanufacture and Repair •
Industrial Services

www.timken.com

Timken® and Survivor® are the
registered trademarks of
The Timken Company.

©2007 The Timken Company
Printed in U.S.A.
5M 04-07-29 Order No. 5753