

| SNR : The Bearing Housings



Industry





Contents

	Page		Page
Bearing Housings And Mounting Accessories	2	Flange Bearing Housings 722500	25
Housings	3	Design	25
Bearings	4	Sealing Systems And Lubrication	25
Sealing Systems	6		
Lubrication	8	Flange Bearing Housings F 11200	26
Bearing Clearance	10		
Mounting Tools	12	Plummer Block Housings SD 3100 TS	27
Bearing Arrangement	13	Designs	27
		Sealing system	27
Plummer Block Housings With Oil Lubrication SNOE	14	Lubrication	27
Designs	14	Miscellaneous	27
Sealing Systems	15		
Lubrication	15	Dimension Tables	
Miscellaneous	15	SNOE 200 Plummer Block Housings	28-29
		SNOE 300 Plummer Block Housings	30-31
Mine Car Bearing Housings TVN	16	TVN 200 Mine Car Bearing Housings	32-33
TVN Standard Design	16	TVN 300 Mine Car Bearing Housings	34-35
TVN Housing For High Temperature Applications	16	TVN 6200/6300 Hardening Car Bearing Housings	36-37
		TN 200/300 Plummer Block Housings	38-39
Plummer Block Housings TN	17	ZLG 300 Double Bearing Housings	40-43
		DLG 300 Triple Bearing Housings	44-45
Double And Triple Bearing Housings ZLG/DLG	18	ZLOE 200/300 Double Bearing Housings	46-47
Designs	18	722500 Flange Bearing Housings	48-51
Load	21	F 11200 Flange Bearing Housings	52-53
Lubrication	21	SD 3100 TS Plummer Block Housings	54-57
Sealing System	22		
Miscellaneous	22	Special Solutions	58
		Auxiliary Programme	59
Oil Lubricated Double Bearing Housings ZLOE	23		
Designs	23		
Lubrication	23		
Sealing System	24		
Miscellaneous	24		

Special note:

Information about our **two-part bearing housings SNC** could be found in the catalogue "The SNC Pillow Block Range For Your Application".

Further on, our catalogue "SNOL Innovation in Performance and Economy" will inform you about the two-part bearing housings SNOL with oil lubrication, which can be sent on request.

SNR bearing housings are made for all applications where high performance is needed.

SNR offers a wide range of different bearing housings. All offered types are the best choice regarding design, quality and life time.

SNR bearing housings are optimized to fulfil the requirements especially in the following fields of application:

- Ventilator Industry
- Conveyor Systems
- Escalators
- Textile machines
- Mining.....

Especially for the demand in the ventilator industry we extended our range of oil lubricated double bearing housings (ZLOE) with several new models.

All plummer block housings (grease and oil lubricated) are also obtainable fully assembled with shaft.

Our strengths are particularly geared towards the design and production of special housings. In this area too, we have also developed new solutions in close cooperation with our customers.

Our different production options enable us to produce small and bulk volumes at top quality, quickly and inexpensively.

Our customers have been opting for our SNR products for years because the following points are of importance to them:

- All products from a single source
- High quality standard
- Functional details
- High efficiency
- Maintenance and repairs are easy to do and can be done by our customers

The bearing housing design undergoes constant further development. For this reason we reserve the right to introduce at any given time technical modifications to our products which serve to enhance the technical capability.

Bearing Housings and Mounting accessories

A bearing housing is a module which contains the following components:

- a housing made of cast iron or special materials, 2-part or compact, that can be screwed onto the mounting surface with bolts;
- one or several bearings, which is/are mounted either directly onto the shaft or which is/are attached with the aid of an adapter sleeve;
- a sealing system to protect the bearings in service;
- a device for re-lubrication of the bearings under running conditions.

Housings

Housing design

The bearing housing design is available in two basic versions:

- as a 2-part bearing housing with an integrated self-aligning or spherical-roller bearing;
- as a compact unit with an integrated self-aligning or spherical-roller bearing, but also with a bearings or a combination of several other bearings.

Along with this fundamental classification, the SNR bearing housings are also differentiated in terms of plummer block housings, suspended housing, double or triple bearing housings and flange bearing housings.

Material

The housings are made of grey cast iron as standard. For special applications spheroidal cast iron or cast steel in various qualities are also available. Similarly, various steel materials as well as other application-specific materials can be used.

For special requirements it is also possible to coat the housing surfaces. In such cases please ask us for specific delivery options.

Painting

All SNR bearing housings are painted in blue (RAL 7031 and RAL 5010 for series SD). All externally-located surfaces are painted, i.e. including the underside and - in part - the housing's bolting surface.

Special paintings are also available on request.

The bearing seat and all other internally-located surfaces are preserved. For oil lubricated bearing housings the housing's free interior surfaces are painted.

Bearing seat

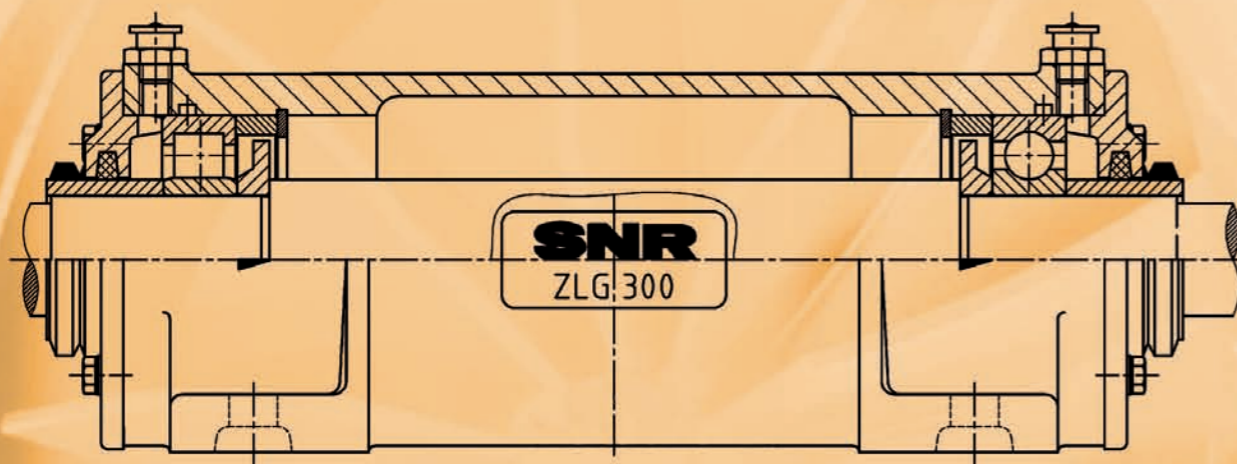
The bearing seat fittings in the individual housings are geared towards each individual application. Basically however, it is always selected such that axial displacement of the bearing outer race in a floating bearing is possible.

Bearings with cylindrical bores

Bearings with cylindrical bores are mounted directly onto the shaft. A shaft fit is to be selected that matches the application and bearings used. The bearing itself must however be firmly mounted onto the shaft. An SNR induction heating device should be used (see annex p. 59) to mount the bearing.

Cylindrical bearings require a shaft shoulder as a contact surface within the housing. This in turn means that the diameter of the inlet or outlet bore in the housing generally deviates from the diameter of the bearing used.

The figure below shows a double bearing housing ZLG 300.

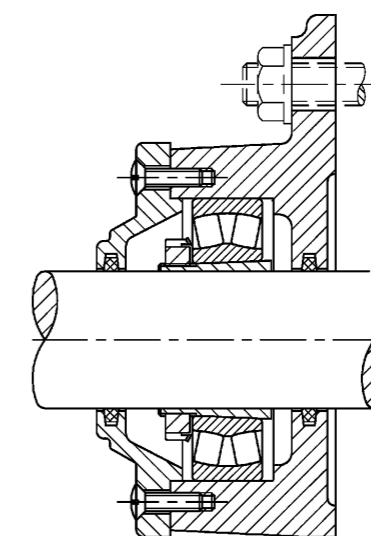


Bearing with tapered bore

Bearings with a tapered bore are mounted onto the shaft with the aid of an adapter sleeve. Here the tolerance of the shaft may be higher than for bearings with a cylindrical bore. Fundamentally, bright-drawn shafts may be used (fit h7 - h9).

The bearing ring is fastened onto the sleeve by clamping it axially. In doing so the radial bearing clearance after mounting must be adhered to (see SNR mounting card p. 11).

The figure below shows a flange bearing housing.



Bearing clearance

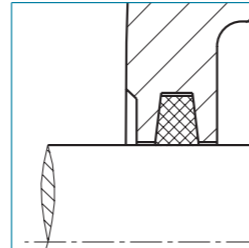
Bearings with tapered bores are made with a greater radial clearance than normal as standard. The designation for this is, for example: 22316 K C3

22316	Spherical roller bearing from 22300 series
K	Tapered bore
C3	bearing clearance

Bearings with cylindrical bores generally have normal clearance (C0). Greater bearing clearance is possible in both instances.

Felt strip seal

The felt strip, as under DIN 5419, is the reliable standard sealing for many SNR bearing housings. It is easy to fit and can be used for circumferential speeds up to 5 m/s, after a running-in period (approx. 2 hours) up to 15 m/s. Felt seals are suitable for grease lubrication and temperatures of -20 to +100 °C. At higher temperatures up to approx. 300 °C we will be pleased to offer you a selection of special materials.*

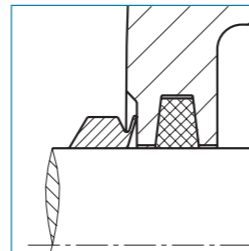


V-ring seal

Bearing housings which are processed on the front end can be equipped with a V-ring seal. We mainly use V-rings in combination with felt strips. Instead of a felt strip a double lip seal can also be used. They provide additional and inexpensive protection against the ingress of moisture into the bearing housing.

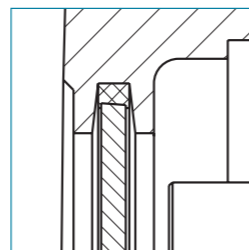
V-rings can be used for circumferential speeds up to 15 m/s. They are made of nitrile rubber (NBR) and suitable for temperatures up to 100 °C. Special materials are available on request for higher temperatures (e.g. Viton).*

These sealing variants are not only suitable for grease lubricated housings, but also as an auxiliary sealing for oil lubricated bearing housings.



End cover

If the shaft ends in the housing then this is to be sealed with a cover. End covers are made of grey cast iron and fitted with a felt strip. They are suitable for temperatures up to 100 °C.



Double lip seal

Each SNR bearing housing can accommodate a double lip seal in the ring groove (where available). The design of this seal, which is also made of the NBR (nitrile rubber) material, excels on account of the following sealing properties:

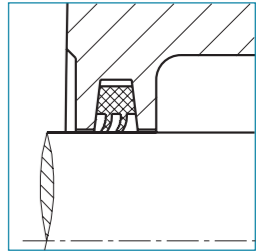
- low increase in friction torque
- optimum protection against foreign particles and moisture
- Improvement in sealing performance through introduction of lubrication grease between the sealing lips when mounting and continuously during operation.

Maximum shaft misalignment: $\pm 0.5^\circ$

Maximum circumferential speed of shaft: 15m/s

Maximum service temperature: -20 °C to +110 °C

For applications up to 200 °C* double lip seals made of Viton or PTFE are available on request.

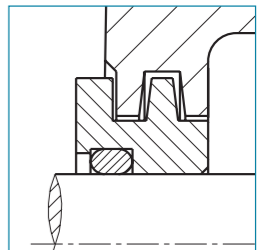


Labyrinth ring with round cord

Several bearing housings can be equipped with this non-contact sealing variant. The round cord inserted between the labyrinth ring and the shaft serves to lift the labyrinth ring. Any limitation of the circumferential speed with this seal is not necessary.

Maximum shaft misalignment: $\pm 0.5^\circ$

Maximum temperature: 200 °C*



Application range of individual seals

	Housing								
	SNOE	TVN	TN	ZLG	DLG	ZLOE	722500	F11200	SD 3100 TS
Felt strips		•	•	•	•		•	•	
V-ring	•			•	•	•			
Double lip seal		•		•	•		•		
Labyrinth ring	•					•			•
End cover	•	•					•		•

• = Seal can be used without modifying housing

* For temperatures in excess of 120 °C, please contact an SNR engineer concerning bearing and grease selection.

* For temperatures in excess of 120 °C please contact an SNR engineer concerning bearing and grease selection

Grease Lubrication

In the overwhelming majority of bearing housing applications grease lubrication is used for the bearing location. Depending on the service case, the initial grease application when fitting should last for a bearing service life. At higher loads, temperatures or speeds the volume of the lubrication medium loses its lubricating capability in the course of service as a consequence of mechanical load, ageing and increasing contamination.

In this case grease must be added to or changed.

If the service case demands regular lubrication then all SNR bearing housings can be equipped with grease nipples. Several of our housings are already equipped as standard with one or more grease nipples. If this should prove insufficient, we would recommend the use of the SNR grease bushing (see annex). This will ensure that there is continuous re-lubrication of the bearing positions for up to 12 months.

If it is necessary to re-lubricate the bearing housing, there is a risk that too much grease may be left in the interior of the housing. The consequence of this can be an increase in bearing temperature up to overheating of the bearing. To prevent this some SNR bearing housings, in particular at high operating temperatures, have grease regulation discs inserted in them.

The grease regulation disc ensures that any excess grease is removed and thus prevents any excessive grease application to the bearing.

For every re-lubrication process the re-lubrication quantity and compatibility of the new grease with the existing grease must be observed.

Information hereto is available in the following tables.

Basic oils

	Mineral oil	Diester oil	Polyalkylene glycol oil	Silicon oil (Methyl)	Silicon oil (Phenyl)	Polyvinyl ether oil
Diester oil	+					
Polyalkylene glycol oil	•	+				
Silicon oil (Methyl)	•	•	•			
Silicon oil (Phenyl)	+	+	•	+		
Polyvinyl ether	+	+	•	•	+	
Perfluoropolyether	•	•	•	•	•	•

+ = mixable

• = not mixable

Source: Klüber

Sealing compound

	Li soap	Na soap	Al complex	Ba complex	Na complex	Bentonite grease
Na soap	•					
Al complex	+	+				
Ba complex	+	+	+			
Na complex	+	+	•	+		
Bentonite grease	+	+	•	+	•	
Polyurea	+	+	+	+	+	+

+ = mixable

• = not mixable

Source: Klüber

The SNR-LUB EP grease is a lithium soap based mineral oil grease and ideally suitable for the following conditions:

- Operating speed of bearing max. 80% of limit speed
- Bearing operating temperature < 100 °C
- Bearing load ratio C/P < 3.5

In the event of divergent operating conditions please contact the SNR engineers. An overview of the general range of SNR-LUB standard greases is available in a special leaflet.

Oil lubrication

Oil lubrication is much more extensive than grease lubrication. Devices for oil supply and for monitoring the oil level must be provided. In the event of an oil circulating lubrication a pump is also required to generate the oil flow. Apart from this greater effort is required to seal the housing.

We recommend oil lubrication in the following instances, if:

- the operating conditions for a bearing (e. g. high speeds) no longer permit grease lubrication;
- dissipation of the bearing position heat must take place over the lubricant;
- other machine elements, such as, e.g. gears, require

oil lubrication.

Mineral oil based oils are mainly used in the lubrication of bearings.

At particularly high or low temperatures we recommend synthetic based oils.

The viscosity of the lubrication oil is primarily geared towards the prevalent temperature influences. Under normal operating conditions (room temperature < 25 °C) the required viscosity at 40 °C is roughly 60 - 120 mm²/S. At higher room temperatures (30 - 50 °C), in small rooms with low air circulation and/or external heating the required viscosity at 40 °C is approx. 120 - 190 mm²/S.

A higher viscosity should be selected, if:

- more unfavourable heat dissipation conditions prevail;
- the ratio is $F_a/F_r > e$;
- the operating speed less than 20% of the speed limit.

At speeds that are higher than 70% of the speed limit, a lubrication oil with a lower viscosity should be used.



Bearing Clearance

Double-row spherical roller bearings with tapered bore (models 21000 K, 22000 K, 23000 K with concentricity 1:12 and model 24000 K with concentricity 1:30) can be fitted with an adapter sleeve or a withdrawal sleeve, and directly in the event of a tapered shaft. The mounting process causes the inner ring to be expanded and this in turn reduces the radial clearance. The remaining bearing clearance must be checked after mounting is complete.

How to measure it:

1.) Caution:

One may not perform the measurement on a greased bearing, because the thickness of the lubrication film prevents an accurate measurement from being made.

2.) Tools:

Check the bearing clearance using a feeler gauge. One slides the gauge between the outer ring and rollers. For bearings with a large radial clearance one may not use feeler gauges of more than 0.15 mm, because they are too rigid to be adapted to the spherical bearing surface. Here one should use several smaller tabs together to achieve the desired thickness.

Checking clearance before mounting:

Place the bearing in a vertical position, so that at both sides the rollers abut with the closing edges of the outer ring. Turn the inner ring by hand and apply a radial load in the vertical direction. Determine the theoretical radial clearance with the aid of the table. Slide the gauge between the relieved, i.e. the upper rollers and the outer ring. Now one has to start checking with the smallest gauge between the rollers and the outer ring.

The thickness of the gauge is now increased in increments. The radial clearance lies between the last gauge, which can be moved between the roller and outer ring, and the gauge, which is stuck between the roller and the outer ring.

Checking clearance after mounting:

To determine the remaining clearance proceed as described under the heading "Checking clearance before mounting". Check the reduction of the clearance after mounting in the table below and determine with the aid of the previously described measures, whether the minimum or maximum value has been maintained.

Radial clearance reduction when installing SNR spherical roller bearings with tapered bore

Nominal dimension of bearing bore	Radial clearance before installation Bearing clearance group						Reduction of radial clearance		Displacement on tapered diameter 1:12		Displacement on tapered diameter 1:30		Check value for smallest radial clearance after installation Clearance group							
	normal		C3		C4		min	max	min	max	min	max	min	max	normal	C3	C4			
d over up to [mm]	min [mm]	max [mm]	min [mm]	max [mm]	min [mm]	max [mm]	min [mm]	max [mm]	min [mm]	max [mm]	min [mm]	max [mm]	min [mm]	max [mm]	min [mm]	max [mm]	min [mm]			
30	40	0,035	0,05	0,05	0,065	0,065	0,085	0,02	0,025	0,35	0,4	0,35	0,45				0,015	0,025	0,04	
40	50	0,045	0,06	0,06	0,08	0,08	0,1	0,025	0,03	0,4	0,45	0,45	0,5				0,02	0,03	0,05	
50	65	0,055	0,075	0,075	0,095	0,095	0,12	0,03	0,04	0,45	0,6	0,5	0,7				0,025	0,035	0,055	
65	80	0,07	0,095	0,095	0,12	0,12	0,15	0,04	0,05	0,6	0,75	0,7	0,85				0,025	0,04	0,07	
80	100	0,08	0,11	0,11	0,14	0,14	0,18	0,045	0,06	0,7	0,9	0,75	1,0	1,7	2,2	1,8	2,4	0,035	0,05	0,08
100	120	0,1	0,135	0,135	0,17	0,17	0,22	0,05	0,07	0,7	1,1	0,8	1,2	1,9	2,7	2,0	2,8	0,05	0,065	0,1
120	140	0,12	0,16	0,16	0,2	0,2	0,26	0,065	0,09	1,1	1,4	1,2	1,5	2,7	3,5	2,8	3,6	0,055	0,08	0,11
140	160	0,13	0,18	0,18	0,23	0,23	0,3	0,075	0,1	1,2	1,6	1,3	1,7	3,0	4,0	3,1	4,2	0,055	0,09	0,13
160	180	0,14	0,2	0,2	0,26	0,26	0,34	0,08	0,11	1,3	1,7	1,4	1,9	3,2	4,2	3,3	4,6	0,06	0,1	0,15
180	200	0,16	0,22	0,22	0,29	0,29	0,37	0,09	0,13	1,4	2,0	1,5	2,2	3,5	4,5	3,6	5,0	0,07	0,1	0,16
200	225	0,18	0,25	0,25	0,32	0,32	0,41	0,1	0,14	1,6	2,2	1,7	2,4	4,0	5,5	4,2	5,7	0,08	0,12	0,18
225	250	0,2	0,27	0,27	0,35	0,35	0,45	0,11	0,15	1,7	2,4	1,8	2,6	4,2	6,0	4,6	6,2	0,09	0,13	0,2
250	280	0,22	0,3	0,3	0,39	0,39	0,49	0,12	0,17	1,9	2,6	2,0	2,9	4,7	6,7	4,8	6,9	0,1	0,14	0,22
280	315	0,24	0,33	0,33	0,43	0,43	0,54	0,13	0,19	2,0	3,0	2,2	3,2	5,0	7,5	5,2	7,7	0,11	0,15	0,24
315	355	0,27	0,36	0,36	0,47	0,47	0,59	0,15	0,21	2,4	3,4	2,6	3,6	6,0	8,2	6,2	8,4	0,12	0,17	0,26
355	400	0,3	0,4	0,4	0,52	0,52	0,65	0,17	0,23	2,6	3,6	2,9	3,9	6,5	9,0	6,8	9,2	0,13	0,19	0,29
400	450	0,33	0,44	0,44	0,57	0,57	0,72	0,2	0,26	3,1	4,1	3,4	4,4	7,7	10,0	8,0	10,4	0,13	0,2	0,31
450	500	0,37	0,49	0,49	0,63	0,63	0,79	0,21	0,28	3,3	4,4	3,6	4,8	8,2	11,0	8,4	11,2	0,16	0,23	0,35
500	560	0,41	0,54	0,54	0,68	0,68	0,87	0,24	0,32	3,7	5,0	4,1	5,4	9,2	12,5	9,6	12,8	0,17	0,25	0,36
560	630	0,46	0,6	0,6	0,76	0,76	0,98	0,26	0,35	4,0	5,4	4,4	5,9	10,0	13,5	10,4	14,0	0,2	0,29	0,41
630	710	0,51	0,67	0,67	0,85	0,85	1,09	0,3	0,4	4,6	6,2	5,1	6,8	11,5	15,5	12,0	16,0	0,21	0,31	0,45
710	800	0,57	0,75	0,75	0,96	0,96	1,22	0,34	0,45	5,3	7,0	5,8	7,6	13,3	17,5	13,6	18,0	0,23	0,35	0,51
800	900	0,64	0,84	0,84	1,07	1,07	1,37	0,37	0,5	5,7	7,8	6,3	8,5	14,3	19,5	14,8	20,0	0,27	0,39	0,57
900	1000	0,71	0,93	0,93	1,19	1,19	1,52	0,41	0,55	6,3	8,5	7,0	9,4	15,8	21,0	16,4	22,0	0,3	0,43	0,64
1000	1120	0,78	1,02	1,02	1,3	1,3	1,65	0,45	0,6	6,8	9,0	7,6	10,2	17,0	23,0	18,0	24,0	0,32	0,48	0,7
1120	1250	0,86	1,12	1,12	1,42	1,42	1,8	0,49	0,65	7,4	9,8	8,3	11,0	18,5	25,0	19,6	26,0	0,34	0,54	0,77

Maintenance: installation-removal Quality, for a longer service life

Know-how and cleanliness are essential factors for bearing installation and removal.

SNR proposes suitable tools, tailored to your needs to optimize bearing service life.

- a - Induction heating devices: Fast Therm 20/35/150/300/600/1000
- b - Installation kit
- c - Wrench for standard and precision locknuts
- d - Hydraulic extractor, 10T
- e - Kevlar®, heat-resistant gloves



You will find all our products in
SNR's Maintenance catalogue: 64 pages of solutions.

- Lubrication
- Installation & removal
- Measurement & monitoring
- Vibratory analysis, training, ...

Before Mounting

The bearings, adapter sleeves, locating rings and grease regulation discs are not to be removed from their original packaging until immediately before they are mounted. Do not wash the bearings!

Mating Structure

The flatness tolerance of the bolting surface of our bearing housing should be IT7, relative to the housing foot diagonal.

For surface roughness we recommend $Rz \leq 100 \mu m$.

Mounting Bearings On The Shaft

Bearings with cylindrical bores

One makes a differentiation between mounting in a warm or cold condition. The type of mounting process is geared towards the bearing sizes, whereby bearings with small diameters should be cold and bearings with large diameters should be warm when mounted. The use of an **SNR induction heating device*** enables the bearing to be heated to the prescribed temperature, in order to mount it easily onto the shaft. When mounting cold a hydraulic press or other aid should be used. When mounting with a mounting sleeve and hammer make sure that the load is always applied to the fixed bearing ring. The grease regulation disc must be mounted onto the shaft before the bearing is mounted. After mounting the bearing, check whether the shaft shoulders contact each other. Finally the bearings are fixed in accordance with the installation drawing in an axial direction.

Bearing with tapered bore (adapter sleeve attachment)

Bearing radial clearance is to be checked using feeler gauges (to do so use SNR- feeler gauges + mounting card). Slide the bearing onto the sleeve and then fit the lock washer and nut. Do not yet tighten the nut. Slide the pre-mounted bearing with the sleeve into the desired position on the shaft. The floating bearing should always be in the centre of the housing. To check this one can place the shaft provisionally into the housing. Now the adapter sleeve can be tightened with the aid of a hook spanner. While tightening the reduction in clearance in the bearing must be constantly checked with the aid of a feeler gauge. The specified clearance reduction is available in the SNR mounting card or you can read off the necessary displacement. Self-aligning ball bearings are clamped until the clearance is almost zero and the outer ring can still be swivelled by hand. The nut of the adapter sleeve is determined by bending a tab of the lock washer in a groove of the nut. The bearings are then filled with the required quantity of grease.

Operating And Maintenance Instructions

Comprehensive operating and maintenance instructions for SNR bearing housing is available in several languages. Im Bedarfsfall senden wir Ihnen diese gerne zu.

* Our induction heating devices are available in our Maintenance catalogue as from page 45.

SNOE Plummer Block Housings (oil version)

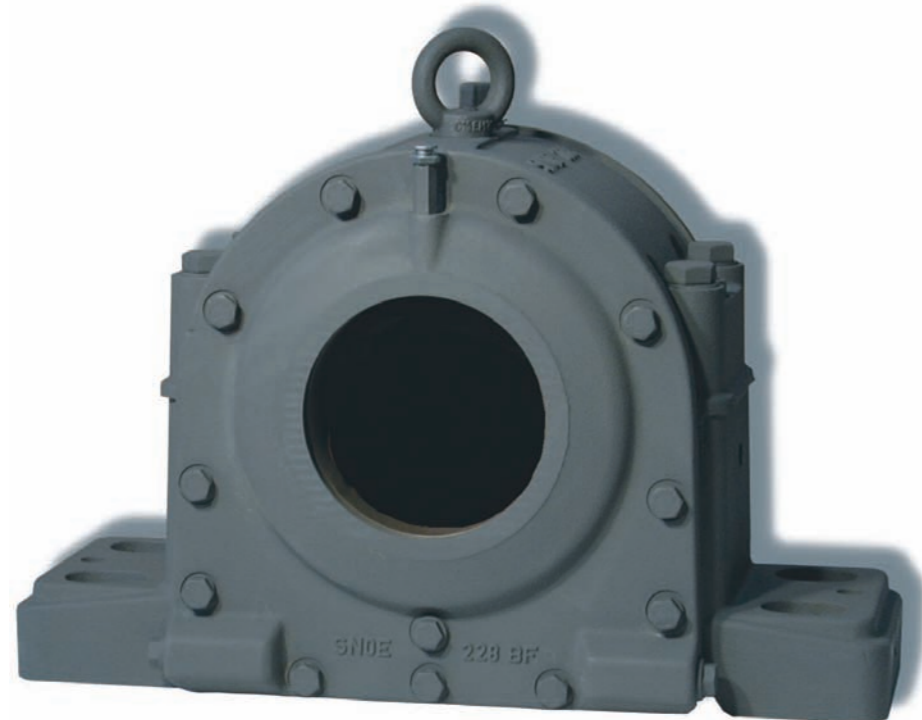
Oil version plummer block housings of models SNOE 200 and SNOE 300 are mounted with spherical roller bearings with cylindrical bore of the 22200 or 22300 series.

Oil lubricated plummer block housings are suitable for high speeds and are, e.g. used in the ventilator industry.

Designs

SNR supplies these plummer block housings in design A with a sealed cover for the shaft ends and in design B with open cover for through shafts. Plummer block housings can be ordered as floating bearing (AL, BL) and locating bearing (AF, BF). The floating bearing function is safeguarded through the housing adaptation (G6). The bearing is axially fastened in place by the cover in the locating bearing design.

The housing body is two-piece for easier mounting; the cover and labyrinth rings are single piece.



Sealing Systems

The gap between the housing and the cover is sealed with a flat seal. The sealing surfaces are also coated with a sealing compound. A labyrinth ring is used for sealing between the shaft and cover, which enables the shaft to be misaligned by up to 0.25°. Blocking grease chambers are integrated into the open covers as additional seals; they can be subsequently lubricated by way of a button head lubricating nipple DIN 3404 M10x1.

Lubrication

The housings are filled with oil by way of a filling bore in the housing cap. A vent screw is then mounted into this bore. When in service oil is distributed by way of a ring oiler, which carries the oil from the oil sump in the housing base. The oil level in the housing can be read off on an oil level indicator mounted to the cover.



Miscellaneous

The ring nut in the housing cap serves to ease handling. It may only be loaded by the weight of the housing and bearing together. Mating threads are available for SPM measuring nipples. Naturally, additional bores, e.g. for temperature sensors can also be fitted by us if requested.

We will also be glad to supply you with SNOE plummer block housings as complete unit with shaft. Provided that you notify us of the dimensions of your mating structure. Example, see Page 58.

Mine Car Bearing Housings TVN

| TVN Standard Design

SNR mine car bearing housing models TVN 200 and TVN 300 are equipped with self-aligning ball bearings from the 1200, 1300 series or deep groove ball bearings from the 6200, 6300 series. They are primarily used as journal bearing sets for mine cars.

SNR supplies these plummer block housings in design A with a sealed cover for the shaft ends and in design B with open cover for through shafts. Both designs are available as floating and locating bearings.

This bearing unit is frequently used in rough environments. To provide the bearing here with special protection two felt strips are fitted into the cover and the housing. The housing can accommodate a shaft misalignment of up to 0.5°.

| TVN Housings For High Temperature Applications

SNR provides these housings as floating bearings only in design A with sealed cover. When used in high temperatures a special sealing system is required. It consists of two hot steam packagings located between the housing and shaft and an additional flat seal between the cover and housing.

Basically, there are two fields of application:

1. Sand-lime brick industry (environment: hot and moist)
2. Other high temperature applications, e.g. clinker hardening plants (environment: hot and dry)

For deployment in sand-lime brick hardening shops the SNR deep groove ball bearings from the 6200 F605 and 6300 F605 series are used. For sealing and lubrication the special lubricant **HOSTAFLON TF 1645** is used. We recommend filling the entire housing. The lubricant penetrates the smallest gaps in the bearing and forms a protective lubricating film there, which simultaneously protects the housing from inside against any moisture ingress.

For dry high temperature applications SNR deep groove ball bearings from the 6200 F600 and 6300 F600 series are used; they can be recognised by the black surface. The **KLÜBER WOLFRASYN ULAF** paste is used here as lubricant. The bearings must be fully greased before they are mounted. In doing so care must be taken to ensure that sufficient lubricant is applied between the raceways and the balls. Once the carrier fluid evaporates all that is left on the bearing is a powder. For these bearings it is possible to use deep groove ball bearings from the 6200 F604 and 6300 F604 series. These bearings are covered on both sides and greased in advance with **KLÜBER WOLFRASYN ULAF**.

| Plummer Block Housings TN 200

Model TN 200 plummer block housings are single-piece housings and are mounted with self-aligning ball bearings with a wide inner ring. They are primarily used in agricultural engineering. The housings are equipped with covers made of grey cast iron and sealed with felt rings. For re-lubrication purposes an M10x1 threaded bore is provided, which is closed at delivery with a screw plug.



Double And Triple Bearing Housings

Double bearing and triple bearing housings are mainly developed in our company for the mounting of industrial ventilators. Because these bearing units can be mounted simply and have an extremely accurate guide. They have also become established in other industrial branches. At this point only a few application examples are mentioned: large sawing installations, conveying systems and textile machines.

Designs

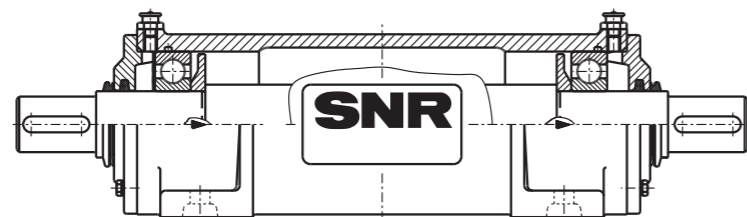
Depending on the load concerned we have developed the following standard variants for you:

Designs AA - AF in a brief overview

Type of load	Designs					
	AA	AB	AC	AD	AE	AF
Radial load	+/+	++/+	++/+	++/++	++/++	+/++
Left/right bearing position						
Axial load – one side	+	+	+	+	+	+
Axial load – both sides	0*	+	-	+	+	+
Speed	++	+	+	+	+	++

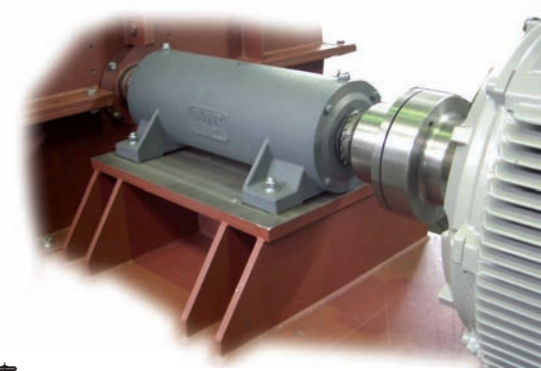
0*: Axial loads on both sides are possible, but only without using the spring washer.

Design AA

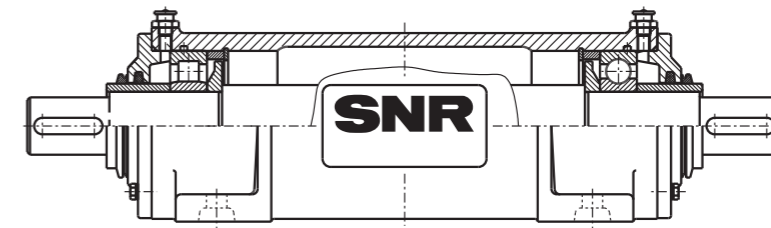


Deep groove ball bearing / Deep groove ball bearing (AA)

High speeds and radial loads are particularly well absorbed here, whereby the axial loads must act from one direction. The spring washer ensures low-noise and smooth operation, something that is particularly valuable at high speeds. If alternating axial loads can be expected then spring washers cannot be used. Please note that in this case the mounting specifications and shaft dimensions change.



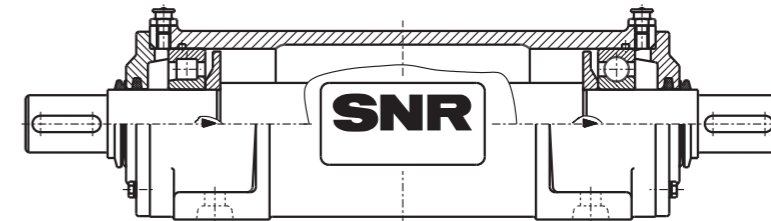
Design AB



Cylindrical roller bearing NU / Deep groove ball bearing (AB)

This type of mounting absorbs axial loads from both directions and high radial loads on one side.

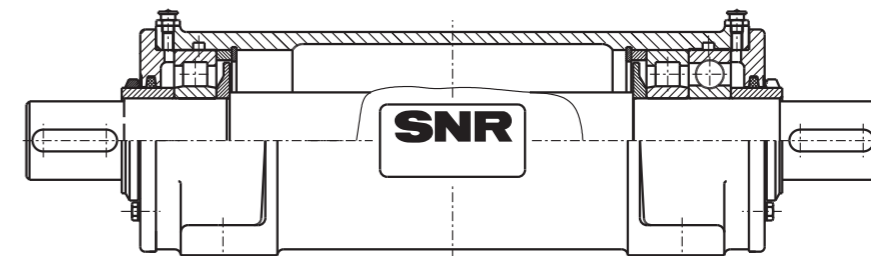
Design AC



Cylindrical roller bearing NJ / Deep groove ball bearing (AC)

A bearing unit in this design is used wherever high radial and axial loads from one direction are given. In contrast to design AB the bearings are not axially clamped here. Mounting is also easier because there is no need for retaining rings inside the housing.

Design AD

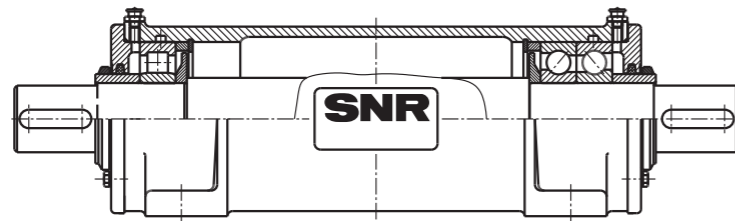


Cylindrical roller bearing / Cylindrical roller bearing, deep groove ball bearing (AD)

Bearing units of this type can absorb significant radial and axial loads from all directions.



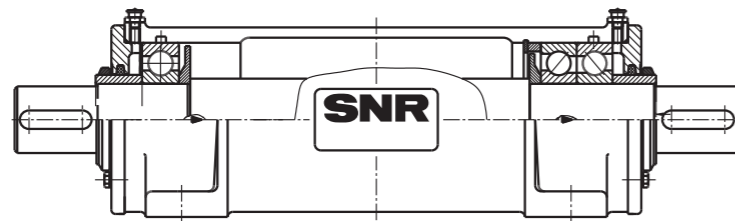
Design AE



Cylindrical roller bearing / 2x angular contact ball bearings (AE)

These units are suitable for large axial loads from both directions. They are also able to absorb high radial loads.

Design AF



Deep groove ball bearing / 2x angular contact ball bearings (AF)

This design type absorbs high axial loads from one direction, while through the deep groove ball bearing on the one side low to medium radial loads are absorbed.

Size	Initial greasing per bearing position	Re-lubrication quantity per bearing
	[cm ³]	[cm ³]
ZLG 306	46	20
ZLG 307	85	26
ZLG 308	103	36
ZLG 309	133	50
ZLG 310	168	67
ZLG 311	224	86
ZLG 312	243	108
ZLG 313	333	132
ZLG 314	411	160
ZLG 315	429	192
ZLG 316	590	227
ZLG 317	577	271
ZLG 318	692	316
ZLG 319	734	308
ZLG 320	954	368
ZLG 322	749	466
ZLG 324	966	657

Size	Initial greasing per bearing position**	Re-lubrication quantity per bearing*
	[cm ³]	[cm ³]
DLG 314	411	160
DLG 315	429	192
DLG 316	590	227
DLG 317	577	271
DLG 318	692	316
DLG 319	734	308
DLG 320	954	368
DLG 322	749	466
DLG 324	966	657

* For triple-bearing housings note that on one side two bearings must be greased.

** Triple bearing housings are populated on one side with two bearings, for this reason make sure that at this position the quantity for the initial greasing is increased by the quantity required for re-lubrication.

| Load

The cast-in arrows on the housing side indicate the direction in which axial loads must act in the event that a bearing unit can only have axial loads applied to it on one side.

| Lubrication

All housings are given 2 button head lubricating nipples DIN 3404-A M10x1, to ensure both bearing positions enjoy optimum re-lubrication. All double and triple bearing housings are equipped with grease regulation discs to regulate the grease quantity at the bearing positions.

Re-lubrication interval:

In the standard case we recommend re-lubrication of the above-mentioned quantities every 3,000 operating hours (at least 2x a year).

Grease type:

SNR LUB-EP or Shell Alvania R3

depending on application:

For applications outside the standard area please ask an SNR engineer for a suitable grease type.



| Seal

Our standard versions are supplied with felt strips and V-rings. This sealing combination acts against any grease escaping while simultaneously preventing any ingress of contamination. For other sealing options such as, e.g. labyrinth ring, GAMMA ring, lamellar rings etc., we will also be glad to provide you with technical assistance.

| Miscellaneous

Double and triple bearing housings are also available as special versions in small quantities. It is also possible to make bores for various measurement devices.

For a bearing seat fit on the shaft for deep groove ball bearings and cylindrical roller bearings we recommend:

- up to 100 mm=> k6
- over 100 mm=> m6

For angular contact ball bearings a fit of j5 is specified.

The speed limit is determined in each case by the bearings used!

If you notify us the dimensions of the mating structure for your design, we will be glad to supply you with double or triple bearing housings fully mounted, pre-lubricated and with a corresponding shaft. That means that you have the advantage of getting the complete unit from one supplier only.

Oil Lubricated Double Bearing Housings (ZLOE)

For a double bearing housing such as model ZLOE two bearings are in a single-piece housing body as for ZLG. This means that the alignment of individual plummer block housings to each other is no longer required, which in turn rules out any misalignment. Various bearing options are possible. The two most frequent variants are described below.

| Designs

a) ZLOE...A

This design is equipped with two deep groove ball bearings from the 6200 or 6300 series in supporting bearing arrangement (floating bearing).

Next to radial loads, axial loads can only be absorbed in one direction. The additionally installed spring washer serves to ensure that operation is low noise and smooth, something that is particularly valuable at high speeds. For axial loads on both sides or alternating the bearing opposite the spring washer is secured axially. This then makes it a locating bearing. Because of its smooth running, in this case the floating bearing is also axially pre-clamped using a spring washer.

b) ZLOE...B

For this version a deep groove ball bearing from 6200 or 6300 series is installed on the locating bearing side and a cylindrical roller bearing NU 200 or NU 300 installed on the floating bearing side. With this higher radial loads can be absorbed on one side.

c) Additional designs

Next to these two bearing combinations ZLOE housings, as with the ZLG housing, can be equipped with various additional arrangements of deep groove ball bearings, cylindrical roller bearings, four-point bearing or angular contact ball bearings. A bearing seat has been widened, to enable two bearings (e.g. an O-arrangement of two angular contact ball bearings) to be accommodated.

| Lubrication

ZLOE bearing housings are lubricated with oil, which is distributed by the rotation of the bearings in the raceways. The housing is basically specified for oil bath lubrication. For more stringent requirements it can also be operated using oil circulation or oil spray lubrication. An oil level indicator in the centre of the housing enables the oil level to be read off at any given time when in operation.



| Sealing System

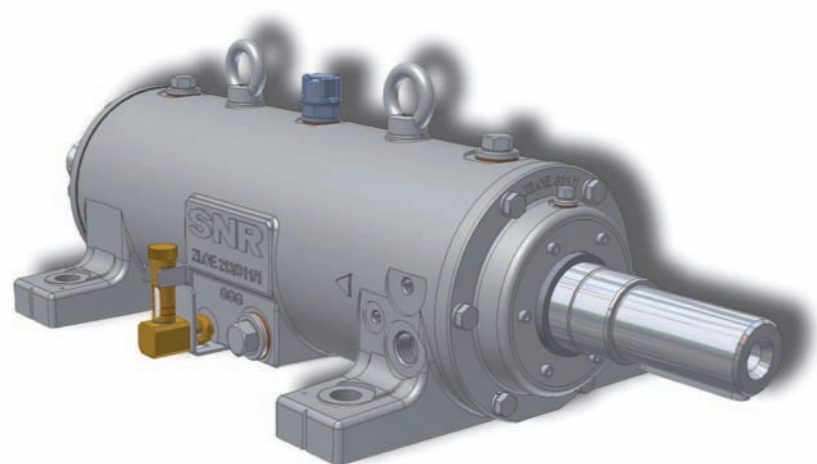
The gap between the housing and the cover is sealed with a flat seal. A labyrinth with threaded seal (in the cover) in the opposite direction to rotation prevents oil escaping between the cover and the shaft.

| Miscellaneous

The housing is fastened on the clamping surface using four foot fastening bolts. The housing foot is equipped with punch marks; these enable the housing to be located after mounting with the aid of straight pins.

The housing body and the cover are made as standard from grey cast iron. Depending on the service case they can also be made from other materials. Several models are available in spheroidal graphite iron.

Located at each bearing position are three bores for connection of various measurement and monitoring devices. These bores are sealed in delivery condition with plastic plugs.



| Flange Bearing Housings 722500

Flange bearing housings, model 722500 have been developed for a wide range of applications. Depending on the application field they are mounted with self-aligning ball bearings from the 1200, 2200 series or spherical roller bearings from the 22200 series (each with tapered bore). The bearings are fastened to the shaft using adapter sleeves.

| Design

SNR supplies these flange bearing housings in design A with a sealed cover for the shaft ends and in design B with open cover for through shafts. The housings can be ordered as floating bearings and as locating bearings. The locating bearing design is equipped with one or two locating rings. The housing sizes 722505 to 722513 are available as 3-bolt flange housings, sizes 722515 to 722522 as 4-bolt flange housings.

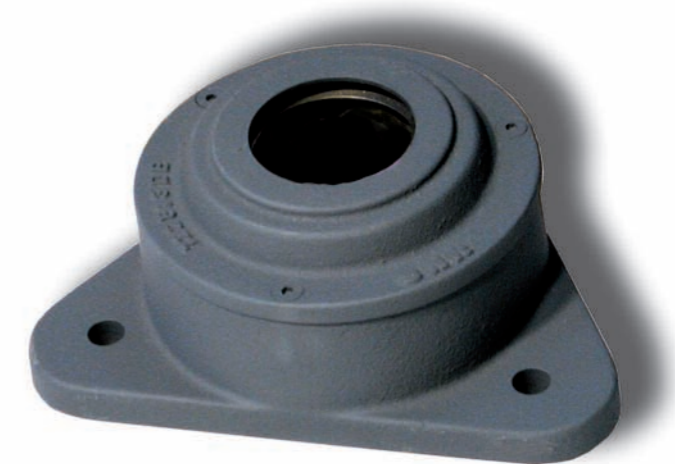
| Sealing Systems And Lubrication

To prevent the bearing against external contamination and to trap escaping grease, a felt ring or double-lip seals are fitted to the cover and in the housing.

Max. shaft misalignment: $\pm 0.5^\circ$

Housings are designed for grease lubrication.

An M10x1 threaded hole is provided for re-lubrication purposes.



Flange Bearing Housings F 11200

Flange bearing housings, model F 11200 are mounted with self-aligning ball bearings with widened inner ring from the 11200 series. They are mainly used for mountings (e.g. in textile machine manufacturing), where simple handling is required. The housing is sealed using two felt rings. For re-lubrication of the bearing the housing comes with an M10x1 threaded hole. The bearing seat in the housing is manufactured to a tolerance of H8. To prevent any contact between the mating parts and the housing, the inner ring of the self-aligning ball bearings protrudes by 1 mm on the cover side.



Plummer Block Housings SD 3100 TS

Plummer block housings, model SD 3100 TS are two-piece plummer blocks for shaft diameters of 150 mm to 400 mm. They are mounted with spherical roller bearings with tapered bore from the 23100 series. The bearings are fastened on the shaft using adapter sleeves. These housings are used in heavy machine construction, e.g. conveyor systems, conveyor screws, roll crushers etc.

Designs

SNR supplies these housings in design A with an end cover for the shaft ends and in design B with labyrinth rings on both sides for through shafts. The housings are available as floating and locating bearings. Up to a shaft diameter $d = 180$ mm locating rings are used on both sides of the bearing for the locating bearing design. For larger housings the axial fastening takes place in the housing itself.

Sealing System

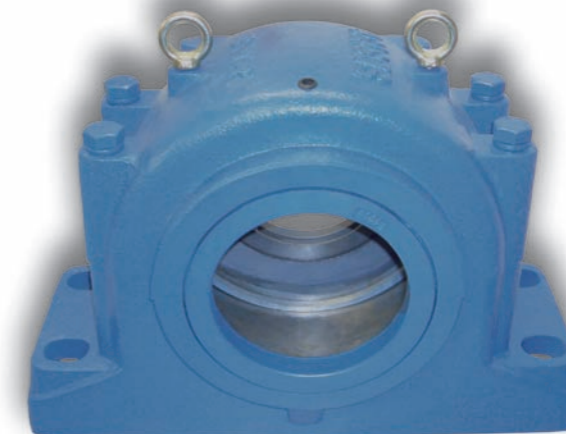
Plummer block housings are sealed using triple labyrinth rings. For this non-contact seal a round cord is inserted between the ring and shaft to lift it. Using the round cord means that the circumferential speed needn't be limited. Shaft misalignments of $\pm 0.25^\circ$ relative to the housing are permissible.

Lubrication

The plummer block housings are designed for grease lubrication and they can be re-lubricated by means of a button head lubricating nipple DIN 3404 G 1/4", which is mounted at the top of the housing.

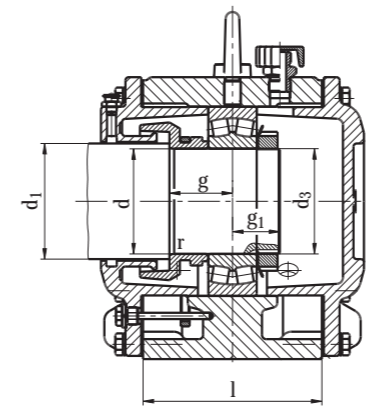
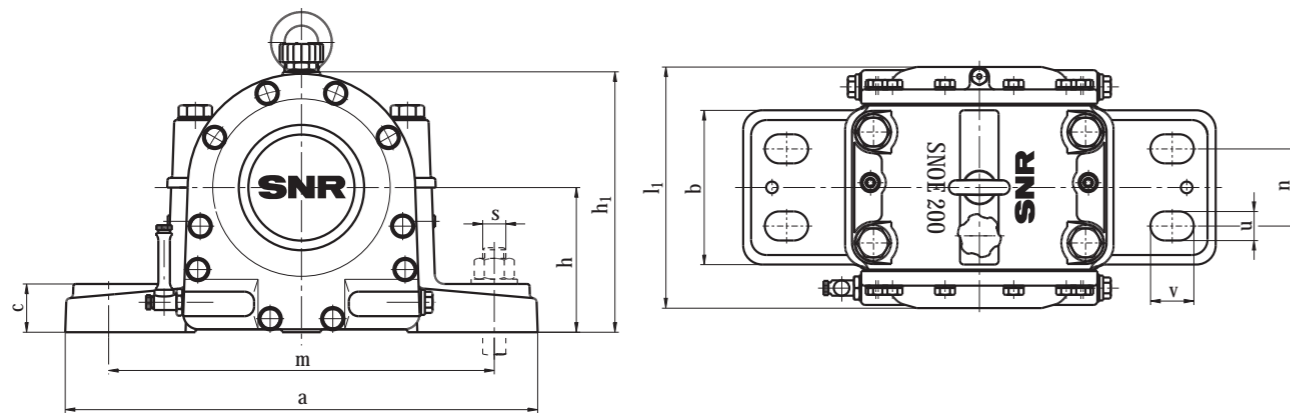
Miscellaneous

The ring bolt in the housing cap serves to ease handling. It may only be loaded by the weight of the housing and bearing together.



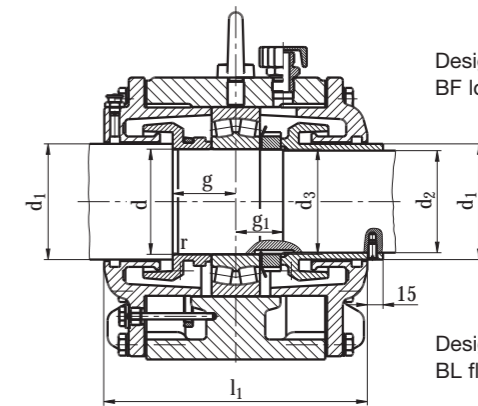
Plummer Block Housings SNOE 200

for bearings with cylindrical bore,
specified for oil lubrication



Design:
AF locating bearing

Design:
AL locating bearing



Design:
BF locating bearing

Design:
BL floating bearing

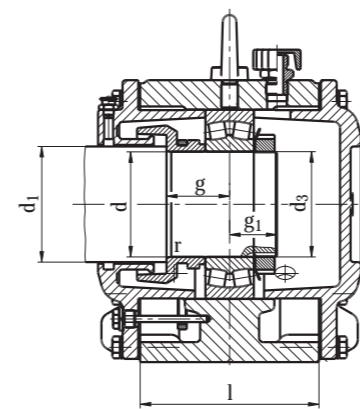
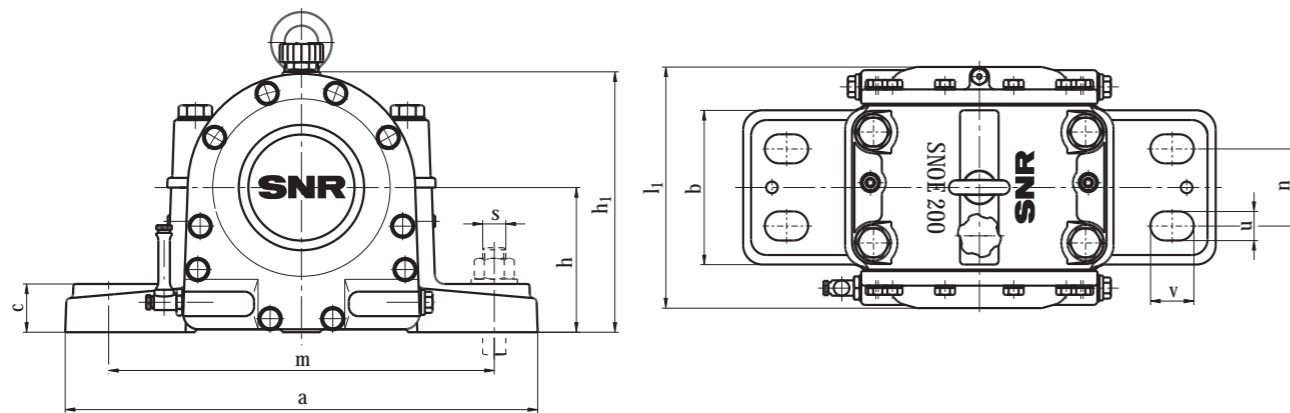
* = Radius of recess according to DIN 509 Form E

We will also be glad to supply you with SNOE plummer block housings as complete unit with shaft. Provided that you notify us of the dimensions of your mating structure. Example, see page 58.

d	d ₁	d ₂	d ₃	dimensions [mm]														code number			mounting parts		oil level [mm]	oil quantity for initial fill approx. l	housing weight approx. kg	
				a	b	c	g	g ₁	h	h ₁	l	l ₁	m	n	u	v	s	r*	locating bearing	floating bearing	bearing	lock nut				lock washer
85	90	-	M85x2	410	150	48	62	37	135	240	160	225	340	80	25	35	M20	1,0	SNOE 217 AF	SNOE 217 AL	22217	KM 17	MB 17	50-65	1,4	45
		82	-																-	SNOE 217 BF	SNOE 217 BL					
90	95	-	M90x2	410	150	48	61	40	135	245	160	225	340	80	25	35	M20	1,0	SNOE 218 AF	SNOE 218 AL	22218	KM 18	MB 18	45-60	1,5	47
		87	-																-	SNOE 218 BF	SNOE 218 BL					
95	100	-	M95x2	490	160	50	67	42	150	270	170	250	400	80	30	45	M24	1,0	SNOE 219 AF	SNOE 219 AL	22219	KM 19	MB 19	55-70	1,6	60
		92	-																-	SNOE 219 BF	SNOE 219 BL					
100	110	-	M100x2	490	160	50	60	45	150	270	170	250	400	80	30	45	M24	2,5	SNOE 220 AF	SNOE 220 AL	22220	KM 20	MB 20	50-65	1,7	67
		97	-																-	SNOE 220 BF	SNOE 220 BL					
110	116	-	M110x2	510	165	50	70	49	165	300	175	250	420	80	30	45	M24	1,6	SNOE 222 AF	SNOE 222 AL	22222	KM 22	MB 22	50-70	2,1	74
		107	-																-	SNOE 222 BF	SNOE 222 BL					
120	126	-	M120x2	550	165	55	72	52	175	320	175	250	440	80	36	50	M30	1,6	SNOE 224 AF	SNOE 224 AL	22224	KM 24	MB 24	50-70	2,3	80
		117	-																-	SNOE 224 BF	SNOE 224 BL					
130	136	-	M130x2	570	175	65	77	56	190	345	185	260	460	90	36	50	M30	1,6	SNOE 226 AF	SNOE 226 AL	22226	KM 26	MB 26	55-75	2,3	93
		127	-																-	SNOE 226 BF	SNOE 226 BL					
140	150	-	M140x2	570	175	65	73	58	190	355	180	260	460	100	36	50	M30	2,5	SNOE 228 AF	SNOE 228 AL	22228	KM 28	MB 28	55-70	3,7	100
		137	-																-	SNOE 228 BF	SNOE 228 BL					
150	156	-	M150x2	660	190	70	82	64	220	395	200	275	530	100	42	60	M36	1,6	SNOE 230 AF	SNOE 230 AL	22230	KM 30	MB 30	65-90	4,2	125
		147	-																-	SNOE 230 BF	SNOE 230 BL					
160	170	-	M160x3	660	200	70	80	70	220	400	210	290	530	110	42	60	M36	2,5	SNOE 232 AF	SNOE 232 AL	22232	KM 32	MB 32	60-80	4,7	136
		155	-																-	SNOE 232 BF	SNOE 232 BL					
170	176	-	M170x3	710	200	85	90	73	260	460	210	300	580	110	42	60	M36	1,6	SNOE 234 AF	SNOE 234 AL	22234	KM 34	MB 34	90-105	6,0	160
		165	-																-	SNOE 234 BF	SNOE 234 BL					
180	190	-	M180x3	710	200	85	90	75	260	465	210	300	580	110	42	60	M36	2,5	SNOE 236 AF	SNOE 236 AL	22236	KM 36	MB 36	75-110	6,0	200
		175	-																-	SNOE 236 BF	SNOE 236 BL					
190	196	-	M190x3	820	240	90	95	81	270	485	250	350	670	130	48	70	M42	1,6	SNOE 238 AF	SNOE 238 AL	22238	KM 38	MB 38	70-100	7,2	230
		185	-																-	SNOE 238 BF	SNOE 238 BL					
200	210	-	M200x3	830	240	90	100	83	280	510	260	360	670	130	48	70	M42	2,5	SNOE 240 AF	SNOE 240 AL	22240	KM 40	MB 40	75-100	7,2	250
		195	-																-	SNOE 240 BF	SNOE 240 BL					
220	230	-	TR220x4	880	240	105	108	92	310	565	280	380	720	130	48	70	M42	2,5	SNOE 244 AF	SNOE 244 AL	22244	HM 44 T	MB 44	80-110	8,2	310
		212	-																-	SNOE 244 BF	SNOE 244 BL					
240	260	-	TR240x4	980	280	120	120	100	340	615	300	400	820	165	48	70	M42	4,0	SNOE 248 AF	SNOE 248 AL	22248	HM 48 T	MB 48	100-125	8,4	385
		235	-																-	SNOE 248 BF	SNOE 248 BL					

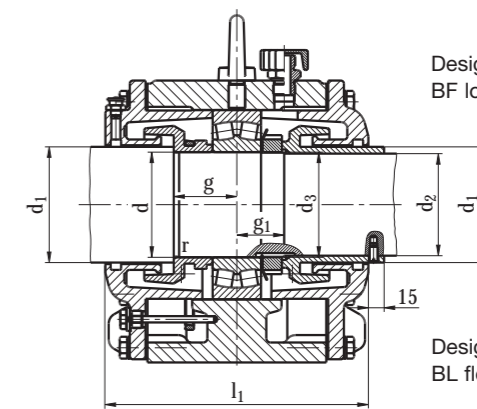
Plummer Block Housings SNOE 300

for bearings with cylindrical bore,
specified for oil lubrication



Design:
AF locating bearing

Design:
AL locating bearing



Design:
BF locating bearing

Design:
BL floating bearing

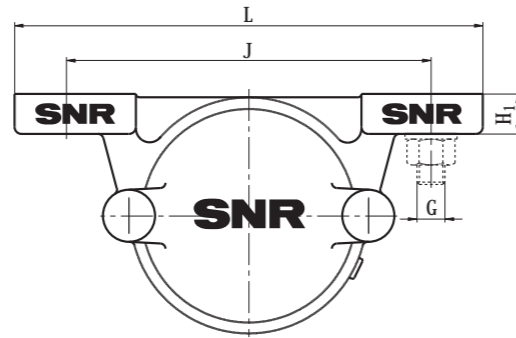
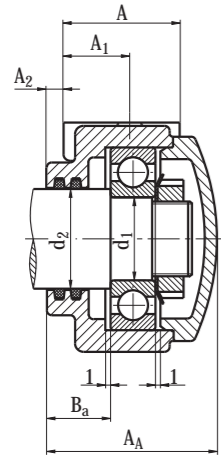
* = Radius of recess according to DIN 509 Form E

We will also be glad to supply you with SNOE plummer block housings as complete unit with shaft. Provided that you notify us of the dimensions of your mating structure. Example, see page 58.

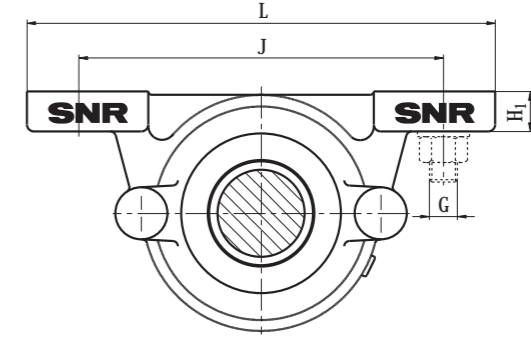
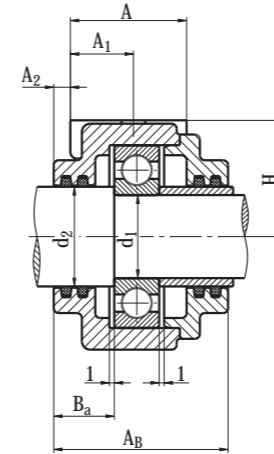
d	d ₁	d ₂	d ₃	dimensions [mm]														code number			mounting parts		oil level [mm]	oil quantity for initial fill approx. l	housing weight approx. kg	
				a	b	c	g	g ₁	h	h ₁	l	l ₁	m	n	u	v	s	r* max.	locating bearing	floating bearing	bearing	lock nut				lock washer
50	55	-	M50x1,5	350	125	40	52	33	115	205	135	210	290	75	20	30	M16	1,0	SNOE 310 AF	SNOE 310 AL	22310	KM 10	MB 10	50-65	0,9	30
	47																		SNOE 310 BF	SNOE 310 BL						
60	65	-	M60x2	370	130	45	55	37	125	220	140	220	310	80	20	30	M16	1,0	SNOE 312 AF	SNOE 312 AL	22312	KM 12	MB 12	50-65	1,0	35
	57																		SNOE 312 BF	SNOE 312 BL						
70	75	-	M70x2	410	150	48	62	41	135	240	160	225	340	80	25	35	M20	1,0	SNOE 314 AF	SNOE 314 AL	22314	KM 14	MB 14	50-65	1,4	45
	67																		SNOE 314 BF	SNOE 314 BL						
80	85	-	M80x2	490	160	50	70	47	150	270	170	235	400	80	30	45	M24	1,0	SNOE 316 AF	SNOE 316 AL	22316	KM 16	MB 16	55-70	1,6	60
	77																		SNOE 316 BF	SNOE 316 BL						
90	95	-	M90x2	500	165	55	72	51	175	305	175	250	420	80	30	45	M24	1,0	SNOE 318 AF	SNOE 318 AL	22318	KM 18	MB 18	65-85	2,3	73
	87																		SNOE 318 BF	SNOE 318 BL						
100	106	-	M100x2	550	165	55	72	58	175	320	175	250	440	80	36	50	M30	1,6	SNOE 320 AF	SNOE 320 AL	22320	KM 20	MB 20	55-75	2,4	81
	97																		SNOE 320 BF	SNOE 320 BL						
110	120	-	M110x2	570	180	65	77	62	180	335	190	270	460	95	36	50	M30	2,5	SNOE 322 AF	SNOE 322 AL	22322	KM 22	MB 22	45-65	2,4	100
	107																		SNOE 322 BF	SNOE 322 BL						
120	126	-	M120x2	660	200	75	90	66	220	390	210	300	530	110	42	60	M36	1,6	SNOE 324 AF	SNOE 324 AL	22324	KM 24	MB 24	65-90	3,7	130
	117																		SNOE 324 BF	SNOE 324 BL						
130	140	-	M130x2	660	200	80	86	72	235	420	220	315	530	110	42	60	M36	2,5	SNOE 326 AF	SNOE 326 AL	22326	KM 26	MB 26	75-105	4,2	142
	127																		SNOE 326 BF	SNOE 326 BL						
140	146	-	M140x2	710	220	85	95	76	260	450	230	325	580	125	42	60	M36	1,6	SNOE 328 AF	SNOE 328 AL	22328	KM 28	MB 28	80-110	6,7	170
	137																		SNOE 328 BF	SNOE 328 BL						
150	160	-	M150x2	760	200	85	95	82	265	465	240	335	630	125	42	60	M36	2,5	SNOE 330 AF	SNOE 330 AL	22330	KM 30	MB 30	75-110	6,2	200
	147																		SNOE 330 BF	SNOE 330 BL						
160	166	-	M160x3	820	240	90	100	86	270	485	250	350	670	130	48	70	M42	1,6	SNOE 332 AF	SNOE 332 AL	22332	KM 32	MB 32	80-105	7,0	240
	155																		SNOE 332 BF	SNOE 332 BL						
170	180	-	M170x3	830	240	90	105	92	280	510	255	350	670	130	48	70	M42	2,5	SNOE 334 AF	SNOE 334 AL	22334	KM 34	MB 34	80-105	7,2	270
	165																		SNOE 334 BF	SNOE 334 BL						
180	190	-	M180x3	840	240	90	108	95	290	530	260	360	680	130	48	70	M42	2,5	SNOE 336 AF	SNOE 336 AL	22336	KM 36	MB 36	80-105	7,4	330
	175																		SNOE 336 BF	SNOE 336 BL						

Mine Car Bearing Housings TVN 200

for bearings with cylindrical bore



Design A
Housing for shaft ends



Design B
Housing for through shafts

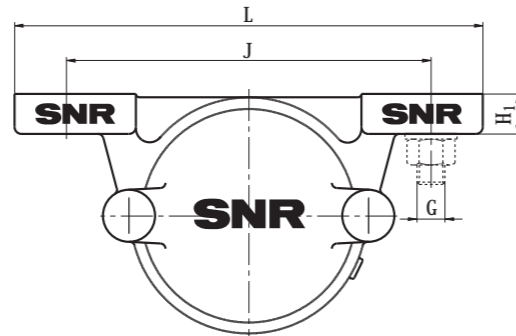
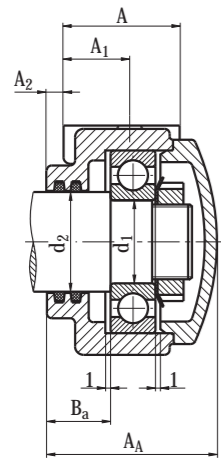
shaft d ₁	d ₂	bearing housing code number	dimensions [mm]										fastening G	housing weight approx. kg	suitable bearings				
			A _A	A _B	H	H ₁	J	L	A	A ₁	A ₂	B _a			self-aligning ball bearing	deep groove ball bearing	felt strips*	lock nut	lock washer
20	25	TVN 204 A	61		35	14	110	150	45	25	6	23,5	M12	1,2	1204	6204	FS 6 x 5 x 118	KM 4	MB 4
	25	TVN 204 B		68	35	14	110	150	45	25	6	23,5	M12	1,2	1204	6204	FS 6 x 5 x 118	KM 4	MB 4
25	30	TVN 205 A	63		40	16	130	170	45	25	7	24,0	M12	1,4	1205	6205	FS 6 x 5 x 132	KM 5	MB 5
	30	TVN 205 B		71	40	16	130	170	45	25	7	24,0	M12	1,4	1205	6205	FS 6 x 5 x 132	KM 5	MB 5
30	35	TVN 206 A	71		50	16	150	190	52	30	7	27,0	M12	2,2	1206	6206	FS 6 x 5 x 150	KM 6	MB 6
	35	TVN 206 B		76	50	16	150	190	52	30	7	27,0	M12	2,2	1206	6206	FS 6 x 5 x 150	KM 6	MB 6
35	45	TVN 207 A	77		50	18	150	190	52	30	8	28,5	M12	2,6	1207	6207	FS 6 x 5 x 180	KM 7	MB 7
	45	TVN 207 B		78	50	18	150	190	52	30	8	28,5	M12	2,6	1207	6207	FS 6 x 5 x 180	KM 7	MB 7
40	50	TVN 208 A	86		60	18	170	210	60	35	8	33,0	M12	3,7	1208	6208	FS 8 x 6,5 x 210	KM 8	MB 8
	50	TVN 208 B		92	60	18	170	210	60	35	8	33,0	M12	3,7	1208	6208	FS 8 x 6,5 x 210	KM 8	MB 8
45	55	TVN 209 A	87		60	20	170	210	60	35	8	32,0	M12	4,0	1209	6209	FS 8 x 6,5 x 225	KM 9	MB 9
	55	TVN 209 B		92	60	20	170	210	60	35	8	32,0	M12	4,0	1209	6209	FS 8 x 6,5 x 225	KM 9	MB 9
50	60	TVN 210 A	90		60	20	170	210	60	35	8	34,0	M12	4,2	1210	6210	FS 8 x 6,5 x 240	KM 10	MB 10
	60	TVN 210 B		94	60	20	170	210	60	35	8	34,0	M12	4,2	1210	6210	FS 8 x 6,5 x 240	KM 10	MB 10
55	65	TVN 211 A	95		70	23	210	270	70	40	8	34,5	M16	6,2	1211	6211	FS 8 x 6,5 x 260	KM 11	MB 11
	65	TVN 211 B		100	70	23	210	270	70	40	8	34,5	M16	6,2	1211	6211	FS 8 x 6,5 x 260	KM 11	MB 11
60	70	TVN 212 A	102		70	23	210	270	70	40	10	39,0	M16	6,7	1212	6212	FS 9 x 7,5 x 280	KM 12	MB 12
	70	TVN 212 B		105	70	23	210	270	70	40	10	39,0	M16	6,7	1212	6212	FS 9 x 7,5 x 280	KM 12	MB 12
65	75	TVN 213 A	110		80	25	230	290	80	45	10	40,5	M16	9,1	1213	6213	FS 9 x 7,5 x 300	KM 13	MB 13
	75	TVN 213 B		115	80	25	230	290	80	45	10	40,5	M16	9,1	1213	6213	FS 9 x 7,5 x 300	KM 13	MB 13
70	80	TVN 214 A	111		80	25	230	290	80	45	10	40,5	M16	9,4	1214	6214	FS 9 x 7,5 x 315	KM 14	MB 14
	80	TVN 214 B		115	80	25	230	290	80	45	10	40,5	M16	9,4	1214	6214	FS 9 x 7,5 x 315	KM 14	MB 14
75	85	TVN 215 A	115		80	25	230	290	80	45	10	41,5	M16	9,9	1215	6215	FS 9 x 7,5 x 330	KM 15	MB 15
	85	TVN 215 B		117	80	25	230	290	80	45	10	41,5	M16	9,9	1215	6215	FS 9 x 7,5 x 330	KM 15	MB 15

* = 2x for design A
4x for design B

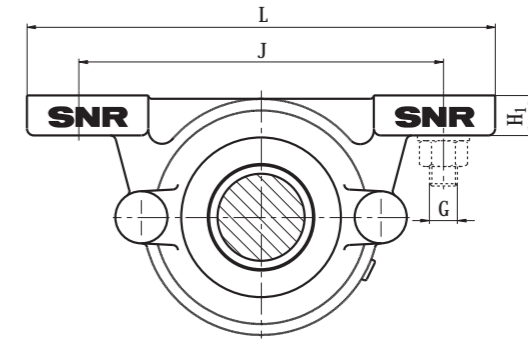
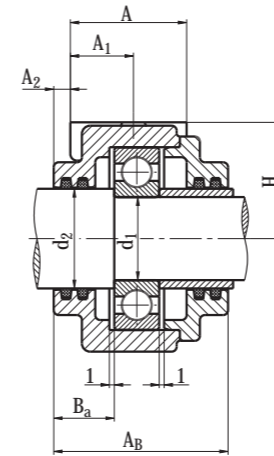
TVN also available as hardening car bearing housings for high temperature applications (s. p. 37).

Mine Car Bearing Housings TVN 300

for bearings with cylindrical bore



Design A
Housing for shaft ends



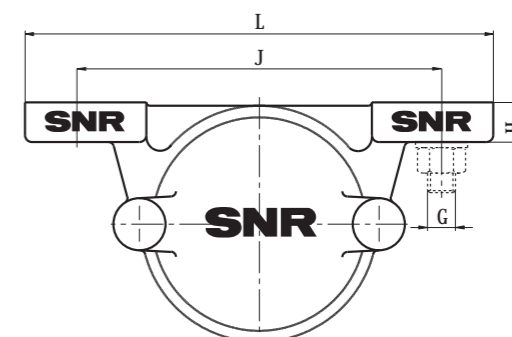
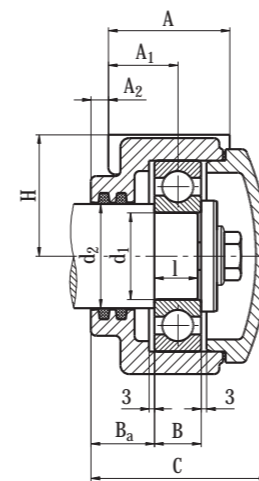
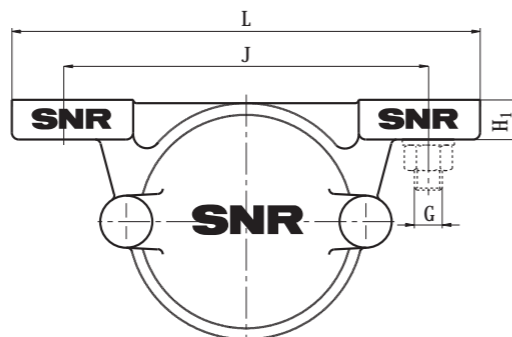
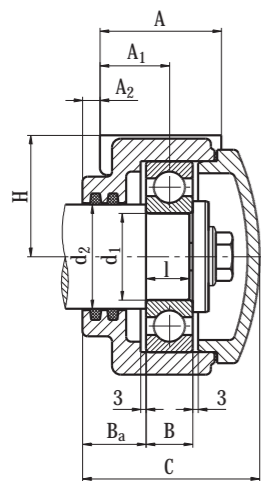
Design B
Housing for through shafts

shaft d ₁	d ₂	bearing housing code number	dimensions [mm]										fastening G	housing weight approx. kg	suitable bearings				
			A _A	A _B	H	H ₁	J	L	A	A ₁	A ₂	B _a			self-aligning ball bearing	deep groove ball bearing	felt strips*	lock nut	lock washer
20	25	TVN 304 A	63		40	16	130	170	45	25	7	24,0	M12	1,6	1304	6304	FS 6 x 5 x 118	KM 4	MB 4
	25	TVN 304 B		71	40	16	130	170	45	25	7	24,0	M12	1,6	1304	6304	FS 6 x 5 x 118	KM 4	MB 4
25	30	TVN 305 A	71		50	16	150	190	52	30	7	26,5	M12	2,3	1305	6305	FS 6 x 5 x 132	KM 5	MB 5
	30	TVN 305 B		76	50	16	150	190	52	30	7	26,5	M12	2,3	1305	6305	FS 6 x 5 x 132	KM 5	MB 5
30	40	TVN 306 A	77		50	18	150	190	52	30	8	27,5	M12	2,6	1306	6306	FS 6 x 5 x 165	KM 6	MB 6
	40	TVN 306 B		78	50	18	150	190	52	30	8	27,5	M12	2,6	1306	6306	FS 6 x 5 x 165	KM 6	MB 6
35	45	TVN 307 A	86		60	18	170	210	60	35	8	31,5	M12	3,9	1307	6307	FS 6 x 5 x 180	KM 7	MB 7
	45	TVN 307 B		92	60	18	170	210	60	35	8	31,5	M12	3,9	1307	6307	FS 6 x 5 x 180	KM 7	MB 7
40	50	TVN 308 A	90		60	20	170	210	60	35	8	32,5	M12	4,2	1308	6308	FS 8 x 6,5 x 210	KM 8	MB 8
	50	TVN 308 B		94	60	20	170	210	60	35	8	32,5	M12	4,2	1308	6308	FS 8 x 6,5 x 210	KM 8	MB 8
45	55	TVN 309 A	95		70	23	210	270	70	40	8	32,5	M16	6,3	1309	6309	FS 8 x 6,5 x 225	KM 9	MB 9
	55	TVN 309 B		100	70	23	210	270	70	40	8	32,5	M16	6,3	1309	6309	FS 8 x 6,5 x 225	KM 9	MB 9
50	60	TVN 310 A	102		70	23	210	270	70	40	10	36,5	M16	6,9	1310	6310	FS 8 x 6,5 x 240	KM 10	MB 10
	60	TVN 310 B		105	70	23	210	270	70	40	10	36,5	M16	6,9	1310	6310	FS 8 x 6,5 x 240	KM 10	MB 10
55	65	TVN 311 A	110		80	25	230	290	80	45	10	37,5	M16	9,3	1311	6311	FS 8 x 6,5 x 260	KM 11	MB 11
	65	TVN 311 B		115	80	25	230	290	80	45	10	37,5	M16	9,3	1311	6311	FS 8 x 6,5 x 260	KM 11	MB 11
60	70	TVN 312 A	115		80	25	230	290	80	45	10	38,5	M16	10,0	1312	6312	FS 9 x 7,5 x 280	KM 12	MB 12
	70	TVN 312 B		117	80	25	230	290	80	45	10	38,5	M16	10,0	1312	6312	FS 9 x 7,5 x 280	KM 12	MB 12
65	75	TVN 313 A	122		95	28	260	330	90	50	12	42,5	M20	13,5	1313	6313	FS 9 x 7,5 x 300	KM 13	MB 13
	75	TVN 313 B		127	95	28	260	330	90	50	12	42,5	M20	13,5	1313	6313	FS 9 x 7,5 x 300	KM 13	MB 13
70	80	TVN 314 A	126		95	28	260	330	90	50	12	43,5	M20	14,0	1314	6314	FS 9 x 7,5 x 315	KM 14	MB 14
	80	TVN 314 B		129	95	28	260	330	90	50	12	43,5	M20	14,0	1314	6314	FS 9 x 7,5 x 315	KM 14	MB 14
75	85	TVN 315 A	136		100	30	290	360	100	55	13	47,5	M20	18,5	1315	6315	FS 9 x 7,5 x 330	KM 15	MB 15
	85	TVN 315 B		139	100	30	290	360	100	55	13	47,5	M20	18,5	1315	6315	FS 9 x 7,5 x 330	KM 15	MB 15

* = 2x for design A
4x for design B

TVN also available as hardening car
bearing housings for high temperature applications (s. p. 37).

Hardening Car Bearing Housings TVN 6200/6300 for bearing with cylindrical bore, for high temperature applications



shaft d ₁	d ₂	bearing housing code number	dimensions [mm]											fastening G	weight approx. kg	suitable bearing deep groove ball bearing	Hostafon TF 1645 filling quantity in g	hot steam packaging 2 x Arolan II
			C	H	H ₁	J	L	A	A ₁	A ₂	B	B _a	I					
35	40	TVN 6207 A	76	50	18	210	255	57	38,5	10	17	30	15	M16	2,6	6207 F605	50	6 x 6 x 145
40	45	TVN 6208 A	81	55	17	210	255	56	39	11	18	30	16	M16	3,7	6208 F605	60	6 x 6 x 160
45	55	TVN 6309 A	96	70	18	210	256	55	44	10	25	32,5	23	M16	6,3	6309 F605	95	6 x 6 x 175
50	60	TVN 6310 A	102	70	23	210	270	70	50	10	27	36,5	25	M16	6,9	6310 F605	140	6 x 6 x 205
55	65	TVN 6211 A	95	70	23	210	270	70	45	8	21	34,5	19	M16	6,2	6211 F605	110	6 x 6 x 220
65	75	TVN 6213 A	108,5	80	25	230	290	80	52	10	23	40,5	21	M16	9,1	6213 F605	150	8 x 8 x 260

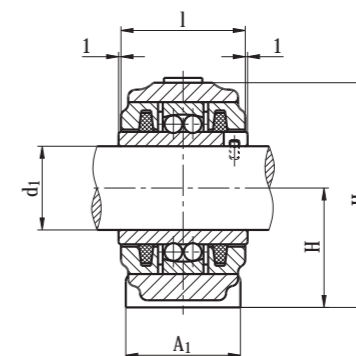
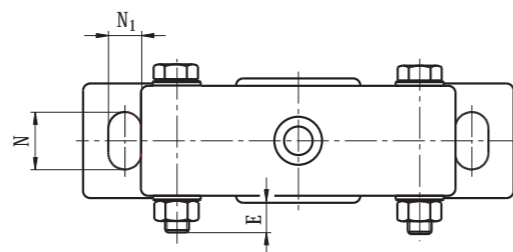
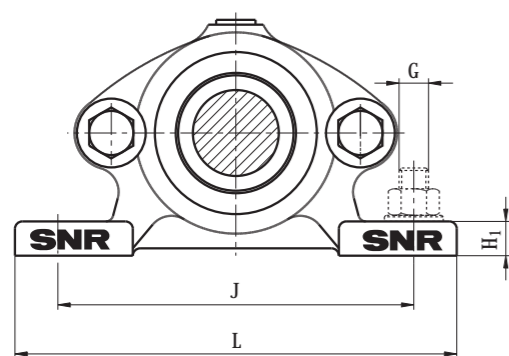
The listed bearing housings with deep groove ball bearing from series **62.. F605** and **63..F605** may only be used in the sand-lime brick hardening shop area.

For all other high temperature applications, e.g. clinker hardening plants, deep groove ball bearings from series **62..F600** and **63.. F600** must be used. The lubricant must also be changed: **Klüber Wolfrasyon Ulaf**.

Please contact an SNR engineer.

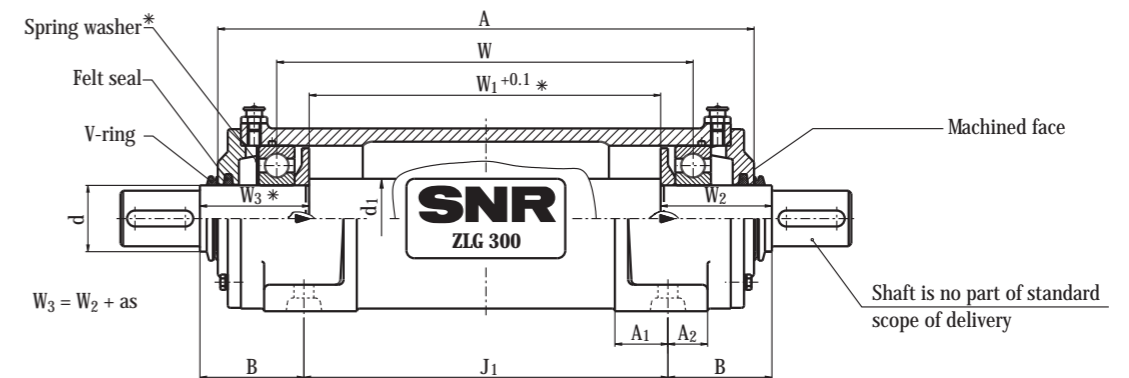
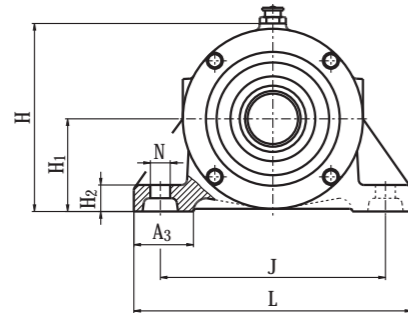
Plummer Block Housings TN200/300

for self-aligning ball bearing with widened inner ring



shaft d_1	bearing housing code number	dimensions [mm]										fastening and mounting	E	housing weight approx. kg	suitable bearing
		H	J	N_1	N	I	L	A_1	H_1	H_2	G				
20	TN 204	40	115	14	20	40	145	42	12	74	M12	6,5	1,1	11204	
	TN 304	40	120	14	20	44	150	42	12	77	M12	8,5	1,1	11304	
25	TN 205	40	120	14	20	44	150	42	12	77	M12	8,5	1,1	11205	
	TN 305	50	130	14	24	48	165	48	14	93	M12	10,0	1,8	11305	
30	TN 206	50	130	14	24	48	165	48	14	93	M12	10,0	1,7	11206	
	TN 306	50	145	14	24	52	180	48	14	98	M12	8,0	1,9	11306	
35	TN 207	50	145	14	24	52	180	48	14	98	M12	8,0	1,8	11207	
	TN 307	55	160	14	24	56	195	52	16	108	M12	8,5	2,4	11307	
40	TN 208	55	160	14	24	56	195	52	16	108	M12	8,5	2,4	11208	
	TN 308	60	175	14	24	58	210	56	16	120	M12	6,0	3,0	11308	
45	TN 209	60	175	14	24	58	210	56	16	116	M12	7,5	2,7	11209	
	TN 309	65	190	17	27	60	230	62	18	129	M16	8,0	4,1	11309	
50	TN 210	60	175	14	24	58	210	56	16	120	M12	6,0	3,0	11210	
	TN 310	70	205	17	27	62	245	66	18	140	M16	10,0	4,6	11310	
55	TN 211	65	190	17	27	60	230	62	18	129	M16	8,0	3,9	11211	
	TN 212	70	205	17	27	62	245	66	18	140	M16	10,0	4,6	11212	

Double Bearing housings ZLG 300



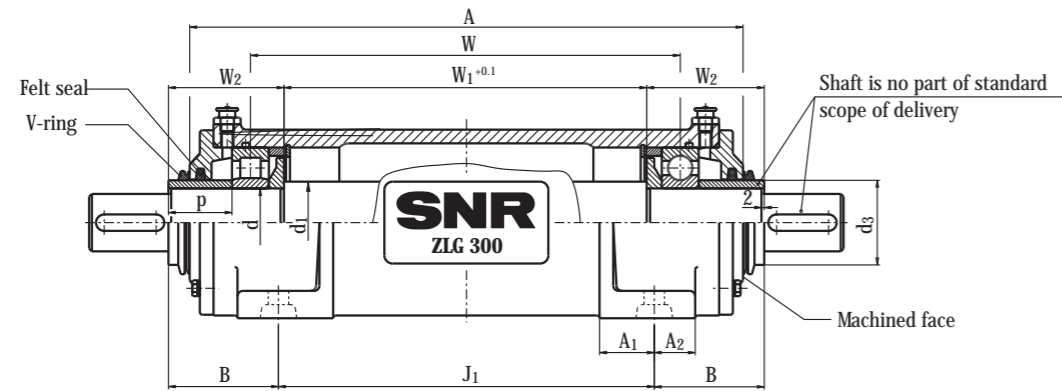
* The spring washer may not be mounted for alternating axial loads. Dimension W1 is then increased by dimension "as", W3 is then equal to W2.

Design AA

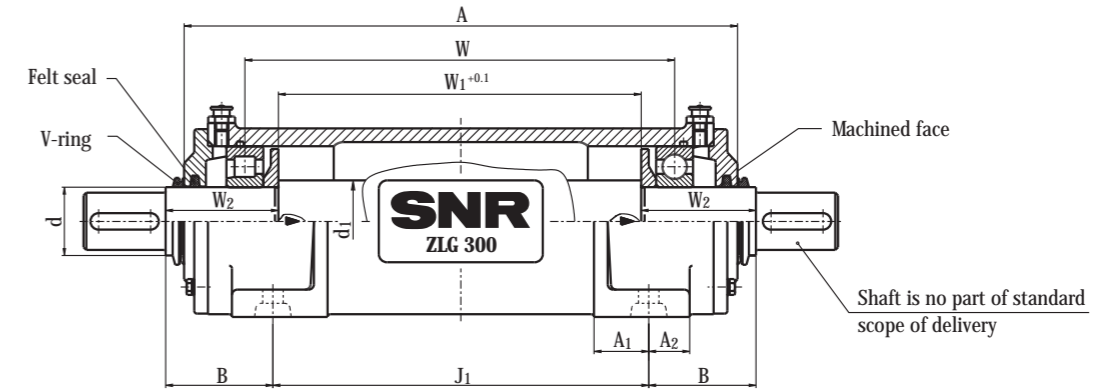
If you notify us the dimensions of the mating structure for your design, we will be glad to supply you with double or triple bearing housings fully mounted, pre-lubricated and with a corresponding shaft. That means that you have the advantage of getting the complete unit from one supplier only.

shaft d	bearing housing code number	dimensions [mm]													mounting parts					unit designation	housing weight approx. kg						
		A	A ₁	A ₂	A ₃	H	H ₁	H ₂	J	J ₁	L	N	W	W ₁	W ₂	B	d ₃	p	as			bearing 1	bearing 2	felt ring	V-ring	spring washer	
30	ZLG 306	235	30	20	40	100	50	16	130	150	170	15	173,0	140,0	57,0	53,0	-	-	1,5	6306 C3	6306 C3	FI 7	V-30S	ASG 6306	ZLG 306 AA	8	
													174,5	141,5	-	-	-	35	31	-	NU 306 EG15 C3	-	FI 8	V-35S	-		ZLG 306 AB
													174,5	140,5	-	-	-	-	-	NJ 306 EG15 C3	-	FI 7	V-30S	-	ZLG 306 AC		
35	ZLG 307	275	30	20	40	117	60	16	150	175	190	15	197,0	160,0	66,5	60,0	-	-	1,5	6307 C3	6307 C3	FI 8	V-35S	ASG 6307	ZLG 307 AA	10	
													198,5	161,5	69,0	62,5	40	40	-	NU 307 EG15 C3	-	FI 9	V-40S	-	ZLG 307 AB		
													198,5	160,5	66,5	60,0	-	-	-	NJ 307 EG15 C3	-	FI 8	V-35S	-	ZLG 307 AC		
40	ZLG 308	330	36	26	40	121	60	18	150	225	190	15	257,0	214,0	69,5	65,0	-	-	1,5	6308 C3	6308 C3	FI 9	V-40S	ASG 6308	ZLG 308 AA	12	
													258,5	215,5	-	50	36,5	-	NU 308 EG15 C3	-	FI 11	V-50S	-	ZLG 308 AB			
													258,5	214,5	-	-	-	-	NJ 308 EG15 C3	-	FI 9	V-40S	-	ZLG 308 AC			
45	ZLG 309	370	36	26	45	139	70	20	170	250	210	15	280,5	235,5	78,5	72,5	-	-	2,0	6309 C3	6309 C3	FI 10	V-45S	ASG 6309	ZLG 309 AA	16	
													282,5	237,5	-	55	43,5	-	NU 309 EG15 C3	-	FI 12	V-55S	-	ZLG 309 AB			
													282,5	236,5	-	-	-	-	NJ 309 EG15 C3	-	FI 10	V-45S	-	ZLG 309 AC			
50	ZLG 310	405	40	30	45	142	70	20	170	275	210	15	314,5	265,5	81,0	77,5	-	-	2,0	6310 C3	6310 C3	FI 11	V-50S	ASG 6310	ZLG 310 AA	19	
													316,5	267,5	-	60	43	-	NU 310 EG15 C3	-	FI 13	V-60S	-	ZLG 310 AB			
													316,5	266,5	-	-	-	-	NJ 310 EG15 C3	-	FI 11	V-50S	-	ZLG 310 AC			
55	ZLG 311	433	40	30	60	158	80	23	210	300	270	20	336,5	287,5	84,0	79,0	-	-	2,0	6311 C3	6311 C3	FI 12	V-55S	ASG 6311	ZLG 311 AA	25	
													338,5	289,5	-	65	45	-	NU 311 EG15 C3	-	FI 15	V-65S	-	ZLG 311 AB			
													338,5	288,0	-	-	-	-	NJ 311 EG15 C3	-	FI 12	V-55S	-	ZLG 311 AC			
60	ZLG 312	479	40	30	60	162	80	23	210	340	270	20	384,0	333,0	84,0	81,5	-	-	1,5	6312 C3	6312 C3	FI 13	V-60S	ASG 6312	ZLG 312 AA	30	
													385,5	334,5	87,5	85,0	70	46,5	-	NU 312 EG15 C3	-	FI 16	V-70S	-	ZLG 312 AB		
													385,5	333,0	84,0	81,5	-	-	-	NJ 312 EG15 C3	-	FI 13	V-60S	-	ZLG 312 AC		
65	ZLG 313	503	45	35	60	187	95	25	230	360	290	20	402,0	348,0	88,0	83,5	-	-	2,5	6313 C3	6313 C3	FI 15	V-65S	ASG 6313	ZLG 313 AA	33	
													404,5	350,5	91,5	87,0	75	48	-	NU 313 EG15 C3	-	FI 17	V-75S	-	ZLG 313 AB		
													404,5	349,0	88,0	83,5	-	-	-	NJ 313 EG15 C3	-	FI 15	V-65S	-	ZLG 313 AC		

Double Bearing housings ZLG 300



Design AB

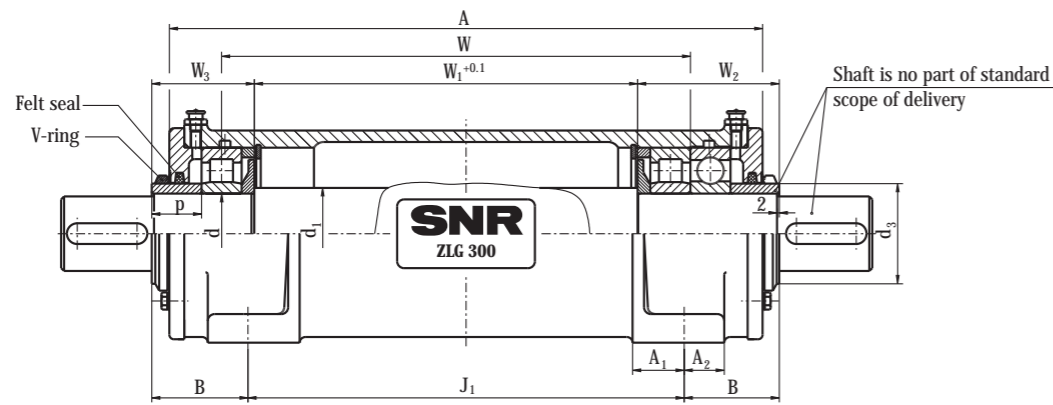
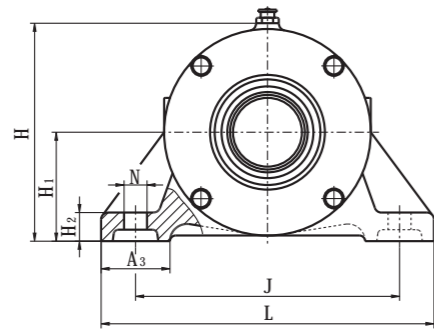


Design AC

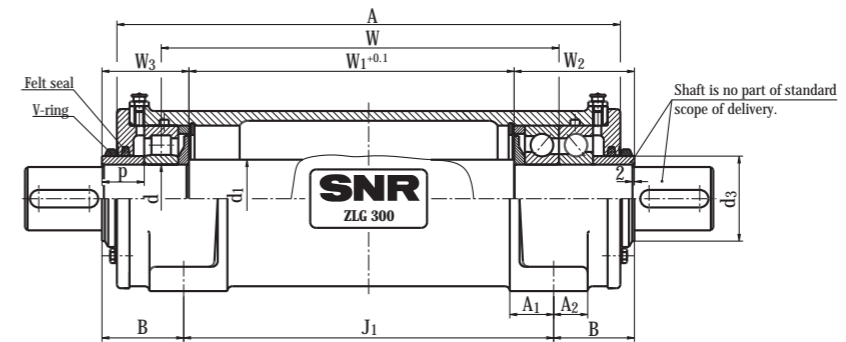
If you notify us the dimensions of the mating structure for your design, we will be glad to supply you with double or triple bearing housings fully mounted, pre-lubricated and with a corresponding shaft. That means that you have the advantage of getting the complete unit from one supplier only.

shaft d	bearing housing code number	dimensions [mm]															mounting parts					unit designation	housing weight approx. kg				
		A	A ₁	A ₂	A ₃	H	H ₁	H ₂	J	J ₁	L	N	W	W ₁	W ₂	B	d ₃	p	as	bearing 1	bearing 2			felt ring	V-ring	spring washer	
70	ZLG 314	534	45	35	60	190	95	25	230	380	290	20	421,0	364,0	99,0	92,5	-	-	2,5	6314 C3	6314 C3	FI 16	V-70S	ASG 6314	ZLG 314 AA	37	
													423,5	366,5	-	-	-	80	53	-	NU 314 EG15 C3	-	FI 18	V-80S	-		ZLG 314 AB
													423,5	365,0	-	-	-	-	-	NJ 314 EG15 C3	-	FI 16	V-70S	-	ZLG 314 AC		
75	ZLG 315	559	45	35	70	200	100	28	260	400	330	20	450,0	389,0	99,0	95,0	-	-	2,5	6315 C3	6315 C3	FI 17	V-75S	ASG 6315	ZLG 315 AA	47	
													452,5	391,5	-	-	-	90	50	-	NU 315 EG15 C3	-	FI 20	V-90S	-		ZLG 315 AB
													452,5	390,0	-	-	-	-	-	NJ 315 EG15 C3	-	FI 17	V-75S	-	ZLG 315 AC		
80	ZLG 316	585	50	40	70	220	112	30	260	420	330	20	468,0	405,0	104,0	98,0	-	-	2,5	6316 C3	6316 C3	FI 18	V-80S	ASG 6316	ZLG 316 AA	56	
													470,5	407,5	-	-	-	95	53	-	NU 316 EG15 C3	-	FI 21	V-95S	-		ZLG 316 AB
													470,5	406,0	-	-	-	-	-	NJ 316 EG15 C3	-	FI 18	V-80S	-	ZLG 316 AC		
85	ZLG 317	593	50	40	70	225	112	30	290	440	350	20	478,0	415,0	103,0	92,0	-	-	2,5	6317 C3	6317 C3	FI 19	V-85S	ASG 6317	ZLG 317 AA	64	
													480,5	417,5	-	-	-	100	51	-	NU 317 EG15 C3	-	FI 22	V-100S	-		ZLG 317 AB
													480,5	416,0	-	-	-	-	-	NJ 317 EG15 C3	-	FI 19	V-85S	-	ZLG 317 AC		
90	ZLG 318	605	55	45	70	230	112	30	290	460	350	20	483,5	418,5	107,0	88,0	-	-	3,0	6318 C3	6318 C3	FI 20	V-90S	ASG 6318	ZLG 318 AA	71	
													486,5	421,5	109,0	90,0	110	55	-	NU 318 EG15 C3	-	FI 24	V-110S	-	ZLG 318 AB		
													486,5	420,0	107,0	88,0	-	-	-	NJ 318 EG15 C3	-	FI 20	V-90S	-	ZLG 318 AC		
95	ZLG 319	633	60	50	90	248	125	35	320	480	400	24	508,5	440,5	110,5	92,0	-	-	3,0	6319 C3	6319 C3	FI 21	V-95S	ASG 6319	ZLG 319 AA	82	
													511,5	443,5	112,5	94,0	110	56	-	NU 319 EG15 C3	-	FI 24	V-110S	-	ZLG 319 AB		
													511,5	442,0	110,5	92,0	-	-	-	NJ 319 EG15 C3	-	FI 21	V-95S	-	ZLG 319 AC		
100	ZLG 320	673	60	50	80	264	130	40	320	500	400	24	533,0	463,0	118,5	102,0	-	-	3,5	6320 C3	6320 C3	FI 22	V-100S	ASG 6320	ZLG 320 AA	93	
													536,5	466,5	120,5	104,0	120	62	-	NU 320 EG15 C3	-	FI 27	V-120S	-	ZLG 320 AB		
													536,5	465,0	118,5	102,0	-	-	-	NJ 320 EG15 C3	-	FI 22	V-100S	-	ZLG 320 AC		
110	ZLG 322	678	70	60	100	296	150	40	380	520	450	26	577,0	504,0	102,5	96,5	-	-	3,5	6322 C3	6322 C3	FI 24	V-110S	ASG 6322	ZLG 322 AA	110	
													580,5	507,5	-	-	130	41	-	NU 322 EG15 C3	-	FI 29	V-130S	-	ZLG 322 AB		
													580,5	506,0	-	-	-	-	-	NJ 322 EG15 C3	-	FI 24	V-110S	-	ZLG 322 AC		
120	ZLG 324	705	78	60	115	320	160	40	410	540	500	35	599,5	521,5	107,5	100,0	-	-	3,0	6324 C3	6324 C3	FI 27	V-120S	ASG 6324	ZLG 324 AA	150	
													602,5	524,5	-	-	140	41	-	NU 324 EG15 C3	-	FI 32	V-140S	-	ZLG 324 AB		
													602,5	523,0	-	-	-	-	-	NJ 324 EG15 C3	-	FI 27	V-120S	-	ZLG 324 AC		

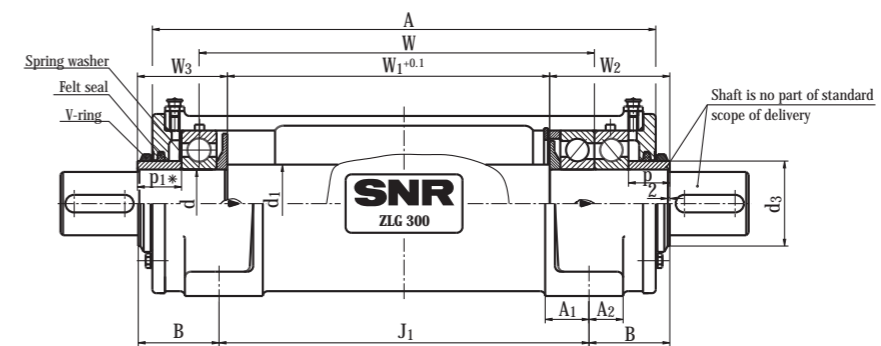
Triple Bearing housings DLG 300



Design AD



Design AE



Design AF

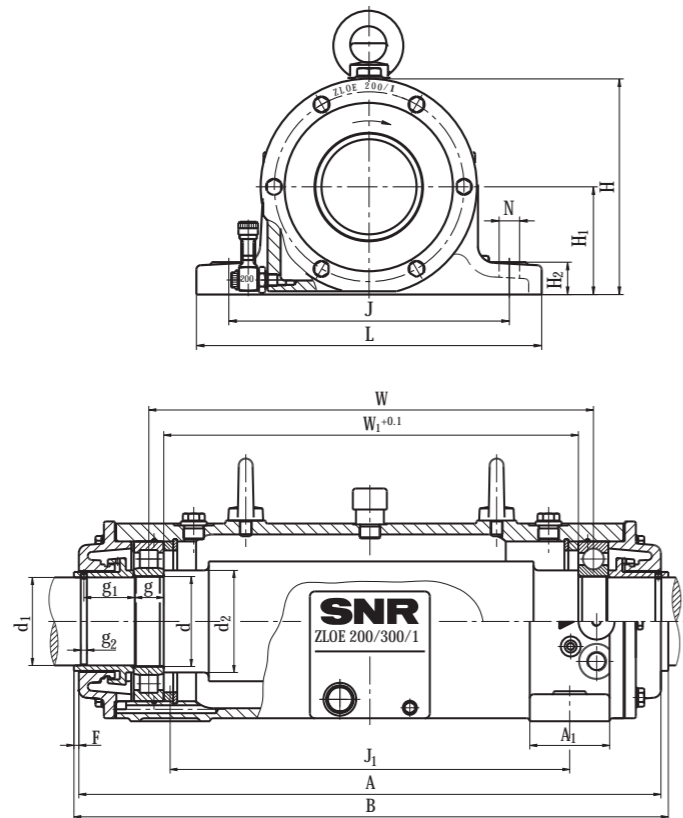
* p1 = p + as

If you notify us the dimensions of the mating structure for your design, we will be glad to supply you with double or triple bearing housings fully mounted, pre-lubricated and with a corresponding shaft. That means that you have the advantage of getting the complete unit from one supplier only.

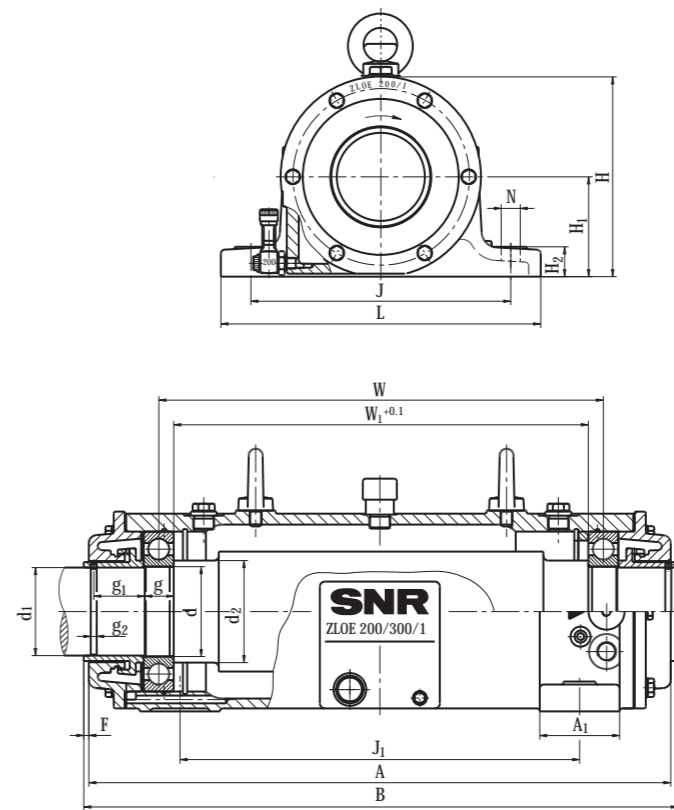
shaft d	bearing housing d1	code number	dimensions [mm]														mounting parts					unit designation	housing weight approx. kg						
			A	A1	A2	A3	H	H1	H2	J	J1	L	N	W	W1	W2	W3	B	d3	p	as			bearing 1	bearing 2	felt ring	V-ring	spring washer	
70	80	DLG 314 517	45	35	60	190	95	25	230	380	290	20	408,5	334,0	124,0	89,0	83,5	80	43,0	-	NU 314 EG15 C3	NU 314 EG15 C3 + 6314 C3	FI 18	V-80S	-	DLG 314 AD	37		
			408,5	334,0	-	-	-	-	-	-	-	-	-	-	-	-	-	-	-	-	-	-	2 x 7314 BG	-	-	-	-	DLG 314 AE	-
			406,0	331,5	91,5	2,5	-	-	-	-	-	-	-	-	-	-	-	-	-	-	-	-	6314 C3	2 x 7314 BG	ASG 6314	-	-	-	DLG 314 AF
75	90	DLG 315 553	45	35	70	200	100	28	260	400	330	20	438,5	359,0	130,5	93,5	91,5	90	44,5	-	NU 315 EG15 C3	NU 315 EG15 C3 + 6315 C3	FI 20	V-90S	-	DLG 315 AD	47		
			438,5	359,0	93,5	-	-	-	-	-	-	-	-	-	-	-	-	-	-	-	-	-	2 x 7315 BG	-	-	-	-	DLG 315 AE	-
			436,0	356,5	96,0	2,5	-	-	-	-	-	-	-	-	-	-	-	-	-	-	-	-	6315 C3	2 x 7315 BG	ASG 6315	-	-	-	DLG 315 AF
80	95	DLG 316 577	50	40	70	220	112	30	260	420	330	20	460,0	377,5	134,5	95,5	94,0	95	44,5	-	NU 316 EG15 C3	NU 316 EG15 C3 + 6316 C3	FI 21	V-95S	-	DLG 316 AD	56		
			460,0	377,5	95,5	-	-	-	-	-	-	-	-	-	-	-	-	-	-	-	-	-	2 x 7316 BG	-	-	-	-	DLG 316 AE	-
			457,5	375,0	98,0	2,5	-	-	-	-	-	-	-	-	-	-	-	-	-	-	-	-	6316 C3	2 x 7316 BG	ASG 6316	-	-	-	DLG 316 AF
85	100	DLG 317 593	50	40	70	225	112	30	290	440	350	20	469,0	385,5	139,5	98,5	92,0	100	46,5	-	NU 317 EG15 C3	NU 317 EG15 C3 + 6317 C3	FI 22	V-100S	-	DLG 317 AD	64		
			469,0	385,5	98,5	-	-	-	-	-	-	-	-	-	-	-	-	-	-	-	-	-	2 x 7317 BG	-	-	-	-	DLG 317 AE	-
			466,5	383,0	101,0	2,5	-	-	-	-	-	-	-	-	-	-	-	-	-	-	-	-	6317 C3	2 x 7317 BG	ASG 6317	-	-	-	DLG 317 AF
90	105	DLG 318 599	55	45	70	230	112	30	290	460	350	20	474,0	387,5	144,5	101,5	87,0	110	47,5	-	NU 318 EG15 C3	NU 318 EG15 C3 + 6318 C3	FI 24	V-110S	-	DLG 318 AD	71		
			474,0	387,5	101,5	-	-	-	-	-	-	-	-	-	-	-	-	-	-	-	-	-	2 x 7318 BG	-	-	-	-	DLG 318 AE	-
			471,0	384,5	104,5	3,0	-	-	-	-	-	-	-	-	-	-	-	-	-	-	-	-	6318 C3	2 x 7318 BG	ASG 6318	-	-	-	DLG 318 AF
95	110	DLG 319 626	60	50	90	248	125	35	320	480	400	24	498,0	407,5	149,0	104,0	90,5	110	47,5	-	NU 319 EG15 C3	NU 319 EG15 C3 + 6319 C3	FI 24	V-110S	-	DLG 319 AD	82		
			498,0	407,5	104,0	-	-	-	-	-	-	-	-	-	-	-	-	-	-	-	-	-	2 x 7319 BG	-	-	-	-	DLG 319 AE	-
			495,0	404,5	107,0	3,0	-	-	-	-	-	-	-	-	-	-	-	-	-	-	-	-	6319 C3	2 x 7319 BG	ASG 6319	-	-	-	DLG 319 AF
100	115	DLG 320 657	60	50	80	264	130	40	320	500	400	24	525,5	432,0	153,0	106,0	95,5	120	47,5	-	NU 320 EG15 C3	NU 320 EG15 C3 + 6320 C3	FI 27	V-120S	-	DLG 320 AD	93		
			525,5	432,0	106,0	-	-	-	-	-	-	-	-	-	-	-	-	-	-	-	-	-	2 x 7320 BG	-	-	-	-	DLG 320 AE	-
			522,0	428,5	109,5	3,5	-	-	-	-	-	-	-	-	-	-	-	-	-	-	-	-	6320 C3	2 x 7320 BG	ASG 6320	-	-	-	DLG 320 AF
110	130	DLG 322 678	70	60	100	296	150	40	380	520	450	26	555,5	457,5	152,5	102,5	96,5	130	41,0	-	NU 322 EG15 C3	NU 322 EG15 C3 + 6322 C3	FI 29	V-130S	-	DLG 322 AD	110		
			555,5	457,5	102,5	-	-	-	-	-	-	-	-	-	-	-	-	-	-	-	-	-	2 x 7322 BG	-	-	-	-	DLG 322 AE	-
			552,0	454,0	106,0	3,5	-	-	-	-	-	-	-	-	-	-	-	-	-	-	-	-	6322 C3	2 x 7322 BG	ASG 6322	-	-	-	DLG 322 AF
120	140	DLG 324 705	78	60	115	320	160	40	410	540	500	35	575,0	469,5	162,5	107,5	100,0	140	41,0	-	NU 324 EG15 C3	NU 324 EG15 C3 + 6324 C3	FI 32	V-140S	-	DLG 324 AD	150		
			575,0	469,5	107,5	-	-	-	-	-	-	-	-	-	-	-	-	-	-	-	-	-	2 x 7324 BG	-	-	-	-	DLG 324 AE	-
			572,0	466,5	110,5	3,0	-	-	-	-	-	-	-	-	-	-	-	-	-	-	-	-	6324 C3	2 x 7324 BG	ASG 6324	-	-	-	DLG 324 AF

Double Bearing housings ZLOE 200/300

for cylindrical roller bearings and deep groove ball bearings, specified for oil lubrication



Design B



Design A

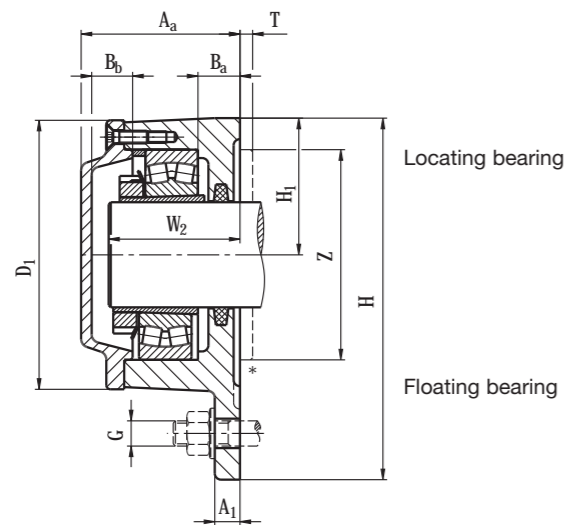
We will also be glad to supply you with ZLOE double bearing housings as complete unit with shaft. Provided that you notify us of the dimensions of your mating structure.

shaft d	bearing housing		dimensions [mm]														g	g ₁	g ₂	mounting parts		oil level in operation [mm]	oil quantity approx. l	weight approx. kg	unit designation
	d ₁	d ₂	code number	A	A ₁	B	F	H	H ₁	H ₂	J	J ₁	L	N	W	W ₁				bearing 1	bearing 2				
90	88	102	ZLOE 218/1	582,5	80	595,0	5	200	100	30	260	400	320	19	445,0	415,0	28	52,0	6	6218 C3	6218 C3	32 - 36	0,8	75	ZLOE 218/1 A
																					NU 218 C3	6218 C3			
95	93	110	ZLOE 219/1	645,0	80	657,5	5	227	112	30	290	440	350	19	493,5	461,5	30	60,0	6	6219 C3	6219 C3	39 - 44	1,3	80	ZLOE 219/1 A
																					NU 219 C3	6219 C3			
100	98	115	ZLOE 220/1	645,0	80	657,5	5	227	112	30	290	440	350	19	491,5	457,5	32	58,0	6	6220 C3	6220 C3	36 - 41	1,3	80	ZLOE 220/1 A
																					NU 220 C3	6220 C3			
110	108	122	ZLOE 222/1	688,5	90	715,5	12	254	125	36	320	480	400	24	536,5	498,5	36	58,0	6	6222 C3	6222 C3	40 - 45	1,7	85	ZLOE 222/1 A
																					NU 222 C3	6222 C3			
75	72	90	ZLOE 315/1	582,5	80	595,0	5	200	100	30	260	400	320	19	445,0	408,0	35	49,5	6	6315 C3	6315 C3	34,5 - 37,5	0,8	75	ZLOE 315/1 A
																					NU 315 C3	6315 C3			
85	82	100	ZLOE 317/1	645,0	80	657,5	5	227	112	30	290	440	350	19	491,5	450,5	39	54,5	6	6317 C3	6317 C3	39 - 43	1,3	80	ZLOE 317/1 A
																					NU 317 C3	6317 C3			
95	92	110	ZLOE 319/1	688,5	90	715,5	12	254	125	36	320	480	400	24	536,5	491,5	43	54,5	6	6319 C3	6319 C3	43 - 46	1,8	85	ZLOE 319/1 A
																					NU 319 C3	6319 C3			

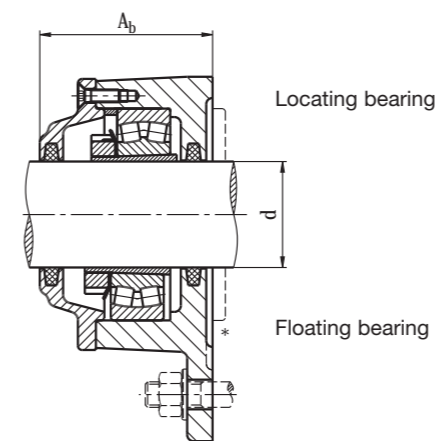
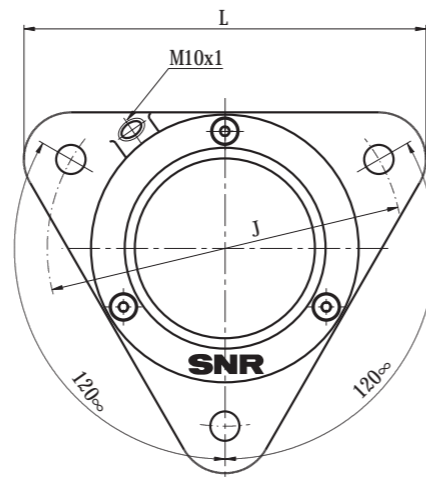
This bearing housing can be equipped with a combination of three bearings. Please contact SNR for more informations.

Flange Bearing Housings 722500

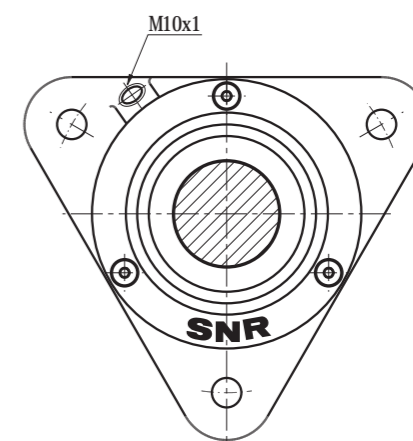
for bearings with adapter sleeve fastening



Design A
Housing design for shaft ends



Design B
Housing for through shafts



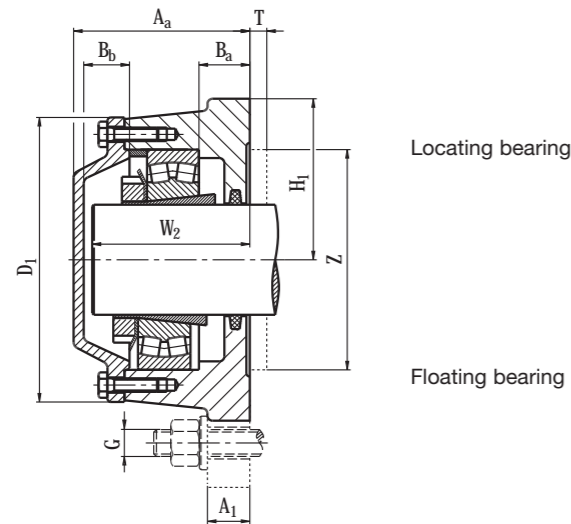
shaft d	bearing housing code number	dimensions [mm]													fastening G	weight approx. kg	mounting parts				cover bolts *1 DIN 7991	felt strips DIN 5419 F2
		A _a	A _b	A ₁	B _a	B _b	D ₁	H	H ₁	J	L	W ₂	T*	Z*			suitable bearing	adapter sleeves	locating rings number	code number		
20	722505 DA	51,5	56,5	10	15	12,5	75	100	38	96	110	44	6	65	M10	1,1	1205 K C3	H 205	1	FR 52/5	M 5 x 16	FS 5 x 4 x 95
	722505 DB	-	-	-	-	-	-	-	-	-	-	-	-	-			2205 K C3	H 305	1	FR 52/2		
25	722506 DA	57,0	59,5	12	16	15	86	117	44	116	130	47	6	70	M10	1,5	1206 K C3	H 206	1	FR 62/6	M 5 x 16	FS 6 x 5 x 118
	722506 DB	-	-	-	-	-	-	-	-	-	-	-	-	-			2206 K C3	H 306	1	FR 62/2		
30	722507 DA	59,5	63,5	12	16	14,5	97	130	48,5	130	145	51	6	75	M12	1,8	1207 K C3	H 207	1	FR 72/8	M 5 x 16	FS 6 x 5 x 132
	722507 DB	-	-	-	-	-	-	-	-	-	-	-	-	-			2207 K C3	H 307	1	FR 72/2		
35	722508 DA	64,0	65,5	12	17	18	108	143	54	140	160	53	6	80	M12	2,3	1208 K C3	H 208	1	FR 80/7	M 5 x 16	FS 6 x 5 x 150
	722508 DB	-	-	-	-	-	-	-	-	-	-	-	-	-			2208 K C3	H 308	1	FR 80/2		
40	722509 DA	64,5	69,5	12	19	16,5	113	160	60	160	180	56	6	85	M12	3,0	1209 K C3	H 209	1	FR 85/6	M 6 x 20	FS 6 x 5 x 165
	722509 DB	-	-	-	-	-	-	-	-	-	-	-	-	-			2209 K C3	H 309	1	FR 85/2		
45	722510 DA	68,5	73	12	22	17,5	118	160	60	160	180	60	6	90	M12	3,0	1210 K C3	H 210	1	FR 90/5	M 6 x 20	FS 6 x 5 x 180
	722510 DB	-	-	-	-	-	-	-	-	-	-	-	-	-			2210 K C3	H 310	1	FR 90/2		
50	722511 DA	75,5	81,5	12	24	19,5	128	172	65	170	192	64	6	100	M12	4,1	1211 K C3	H 211	1	FR 100/6	M 6 x 20	FS 8 x 6,5 x 210
	722511 DB	-	-	-	-	-	-	-	-	-	-	-	-	-			2211 K C3	H 311	1	FR 100/2		
55	722512 DA	77,0	82	12	23	19	142	189	72	180	210	66	10	110	M12	4,8	1212 K C3	H 212	1	FR 110/8	M 6 x 20	FS 8 x 6,5 x 225
	722512 DB	-	-	-	-	-	-	-	-	-	-	-	-	-			2212 K C3	H 312	1	FR 110/2		
																	22210 K	H 310	1	FR 90/2		
																	22211 K	H 311	1	FR 100/2		
																	22212 K	H 312	1	FR 110/2		

* Housings are also available with centring on the mating surface.

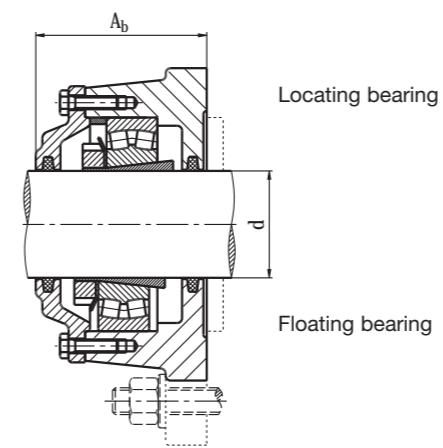
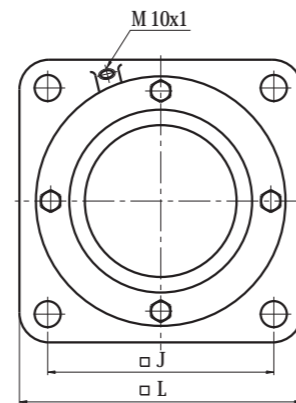
*1 to 722513: 3 screws
ex 722515: 4 screws

Flange Bearing Housings 722500

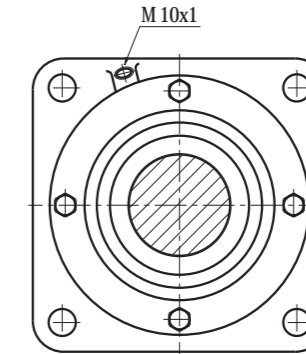
for bearings with adapter sleeve fastening



Design A
Housing design for shaft ends



Design B
Housing for through shafts



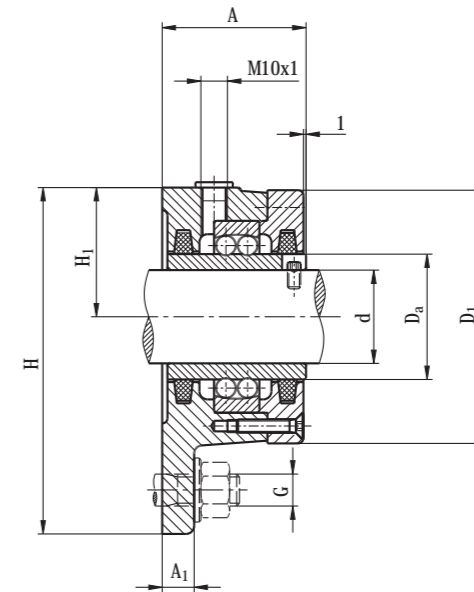
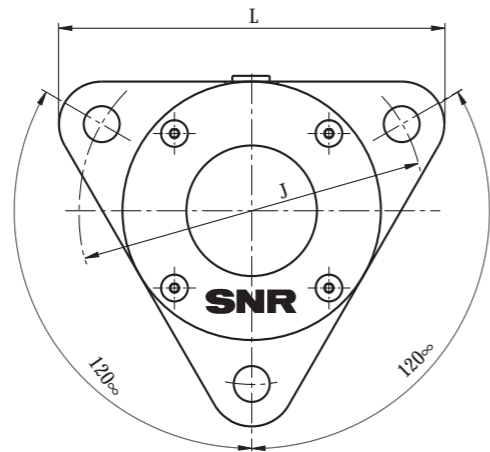
shaft d	bearing housing code number	dimensions [mm]													fastening G	weight approx. kg	mounting parts				cover bolts *1 DIN 7991	felt strips DIN 5419 F2
		A _a	A _b	A ₁	B _a	B _b	D ₁	H	H ₁	J	L	W ₂	T*	Z*			suitable bearing	adapter sleeves	locating rings number	code number		
60	722513 DA	80	86	15	22	20	152	203	78	190	225	69	10	120	M12	5,9	1213 K C3	H 213	1	FR 120/10	M 6 x 20	FS 8 x 6,5 x 240
	722513 DB	-	-	-	-	-	-	-	-	-	-	-	-	-			2213 K C3	H 313	1	FR 120/2		
65	722515 A	104	104	25	30	27	168	-	95	152	190	86	10	130	M16	9,4	1215 K C3	H 215	2	FR 130/8	M 8 x 25	FS 8 x 6,5 x 260
	722515 B	-	-	-	-	-	-	-	-	-	-	-	-	-			2215 K C3	H 315	1	FR 130/10		
70	722516 A	110	110	25	31	30	176	-	98	152	196	92	10	130	M 16	9,8	1216 K C3	H 216	2	FR 140/8,5	M 8 x 25	FS 9 x 7,5 x 280
	722516 B	-	-	-	-	-	-	-	-	-	-	-	-	-			2216 K C3	H 316	1	FR 140/10		
75	722517 A	114	114	25	31	30	188	-	105	170	210	96	10	140	M 16	11,5	1217 K C3	H 217	2	FR 150/9	M 8 x 25	FS 9 x 7,5 x 300
	722517 B	-	-	-	-	-	-	-	-	-	-	-	-	-			2217 K C3	H 317	1	FR 150/10		
80	722518 A	118	118	25	30	34	198	-	105	170	210	99	10	150	M 16	12,5	1218 K C3	H 218	2	FR 160/10	M 8 x 25	FS 9 x 7,5 x 315
	722518 B	-	-	-	-	-	-	-	-	-	-	-	-	-			2218 K C3	H 318	1	FR 160/10		
90	722520 A	127	127	30	30	35	224	-	125	198	250	107	10	170	M 20	18,0	1220 K C3	H 220	je 1	FR180/10 + FR 180/12	M10 x 30	FS10 x 8,5 x 350
	722520 B	-	-	-	-	-	-	-	-	-	-	-	-	-			2220 K C3	H 320	1	FR 180/10		
100	722522 A	137	137	30	30	38	246	-	135	219	270	115	10	200	M 20	21,5	1222 K C3	H 222	2	FR 200/12,5	M 10 x 30	FS 12 x 10 x 390
	722522 B	-	-	-	-	-	-	-	-	-	-	-	-	-			2222 K C3	H 322	1	FR 200/10		
																	22222 K	H 322	1	FR 200/10		

* Housings are also available with centring on the mating surface.

*1 to 722513: 3 screws
ex 722515: 4 screws

Flange Bearing housings F 11200

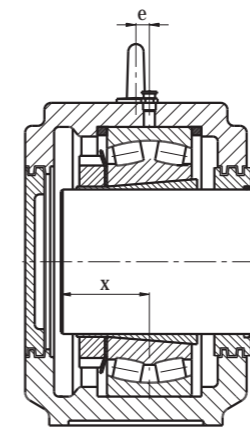
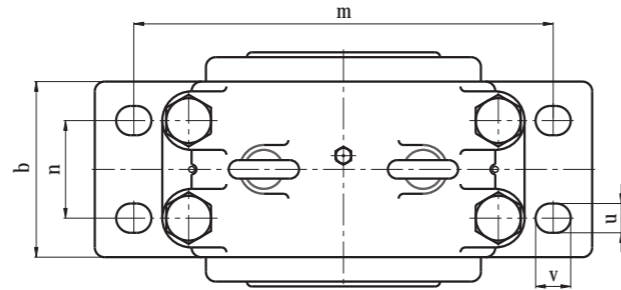
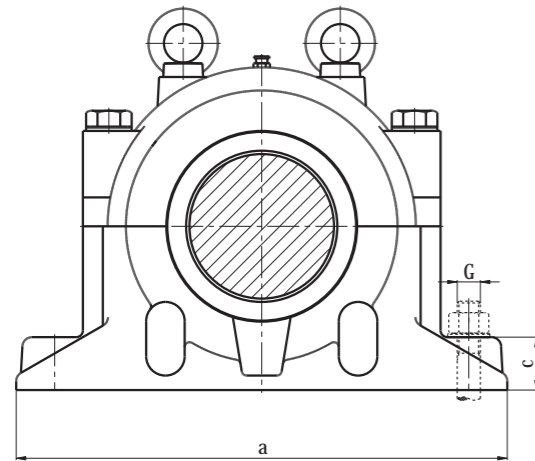
for self-aligning ball bearings with widened inner ring



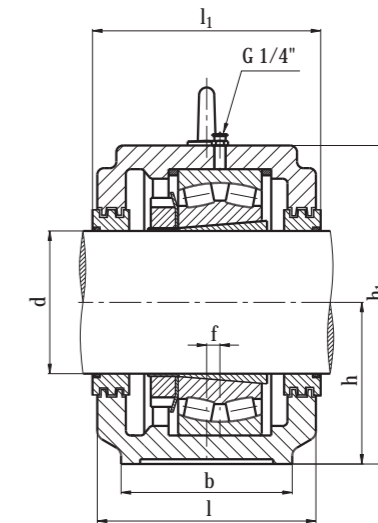
shaft d_1	bearing housing code number	dimensions [mm]								fastening G	weight approx. kg	suitable bearing	cover bolts 4 per housing DIN 7991	felt strips 2 per housing DIN 5419 F2
		A	A_1	D_a	D_1	H	H_1	J	L					
20	F 11204	42	10	29,2	67	93	35,0	90	105	M10	0,8	11204	M 5 x 20	FS 6 x 5 x 132
25	F 11205	46	10	33,3	73	100	38,0	96	110	M10	1,0	11205	M 5 x 20	FS 6 x 5 x 150
30	F 11206	50	12	40,1	84	117	44,0	116	130	M10	1,4	11206	M 5 x 25	FS 6 x 5 x 165
35	F 11207	54	12	47,7	95	130	48,5	130	145	M12	1,8	11207	M 5 x 25	FS 8 x 6,5 x 190
40	F 11208	60	12	54,0	105	143	54,0	140	160	M12	2,3	11208	M 5 x 30	FS 8 x 6,5 x 225
45	F 11209	62	15	57,7	115	160	60,0	160	180	M12	3,3	11209	M 6 x 30	FS 8 x 6,5 x 235
50	F 11210	63	15	62,7	115	160	60,0	160	180	M12	3,6	11210	M 6 x 30	FS 8 x 6,5 x 260

Plummer Block Housings SD 3100 TS

for bearing with adapter sleeve fastening



Locating bearing
Floating bearing



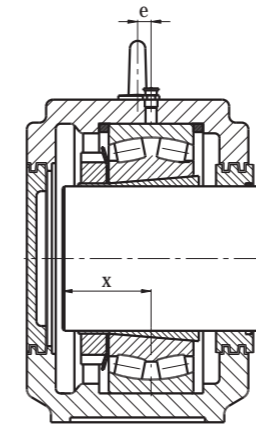
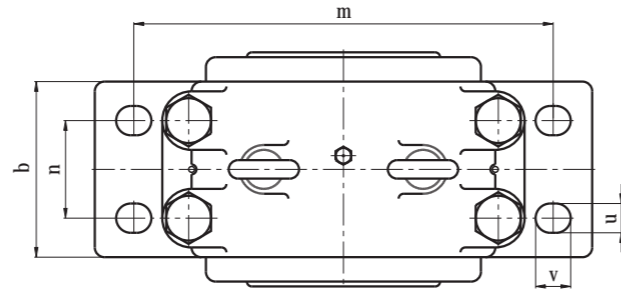
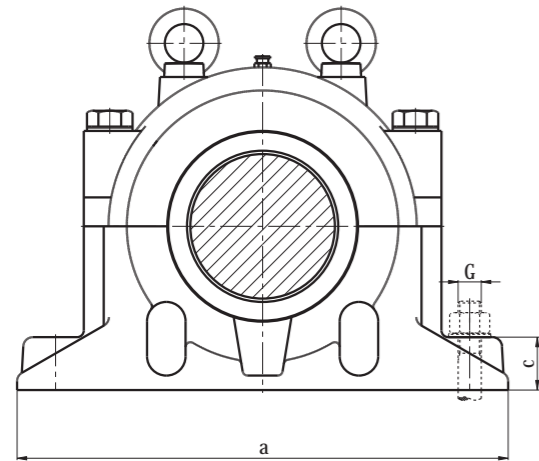
Design A
Housing for shaft ends

Design B
Housing for through shafts

shaft d	bearing housing code number	dimensions [mm]													fastening and mounting		housing weight ca. kg	bearing housing equipment					
		a	b	c	e	f	h	h ₁	l	l ₁	m	n	u	v	G	x		suitable bearing	Adapter sleeve	locating ring number	code number	labyrinth ring	cover
150	SD 3134 TSA	510	180	70	14	14	170	335	230	-	430	100	30	36	M 24	65	70	23134 K	H 3134	2	FR 280/10	TS 34	TSA 34
	SD 3134 TSB									232													
160	SD 3136 TSA	530	190	75	15	15	180	355	240	-	450	110	30	42	M 24	68	72	23136 K	H 3136		FR 300/10	TS 36	TSA 36
	SD 3136 TSB									242													
170	SD 3138 TSA	560	210	80	10	10	190	375	260	-	480	120	30	42	M 24	80	88	23138 K	H 3138	2	FR 320/10	TS 38	TSA 38
	SD 3138 TSB									362													
180	SD 3140 TSA	610	230	85	10	10	210	410	280	-	510	130	37	51	M 30	82	122	23140 K	H 3140	2	FR 340/10	TS 40	TSA 40
	SD 3140 TSB									282													
200	SD 3144 TSAF	640	240	90	12	12	220	435	290	-	540	140	37	51	M 30	90	136	23144 K	H 3144	2	FR 370/10	TS 44	TSA 44
	SD 3144 TSAL									-													
	SD 3144 TSBF									292													
	SD 3144 TSBL									292													
220	SD 3148 TSAF	700	260	95	12	12	240	475	310	-	600	150	37	51	M 30	100	190	23148 K	H 3148	2	FR 400/10	TS 48	TSA 48
	SD 3148 TSAL									-													
	SD 3148 TSBF									312													
	SD 3148 TSBL									312													
240	SD 3152 TSAF	770	280	100	13	13	260	515	320	-	650	160	43	60	M 36	105	238	23152 K	H 3152	2	FR 440/10	TS 52	TSA 52
	SD 3152 TSAL									-													
	SD 3152 TSBF									322													
	SD 3152 TSBL									322													
260	SD 3156 TSAF	790	280	105	16	16	280	550	320	-	670	160	43	60	M 36	105	252	23156 K	H 3156	2	FR 460/10	TS 56	TSA 56
	SD 3156 TSAL									-													
	SD 3156 TSBF									322													
	SD 3156 TSBL									322													
280	SD 3160 TSAF	830	310	110	22	22	300	590	350	-	710	190	43	60	M 36	110	290	23160 K	H 3160	2	FR 500/10	TS 60	TSA 60
	SD 3160 TSAL									-													
	SD 3160 TSBF									352													
	SD 3160 TSBL									352													

Plummer Block Housings SD 3100 TS

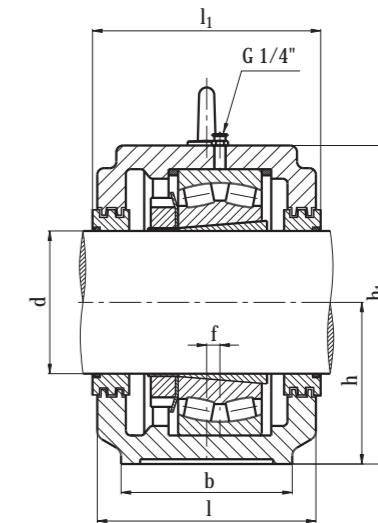
for bearing with adapter sleeve fastening



Locating bearing

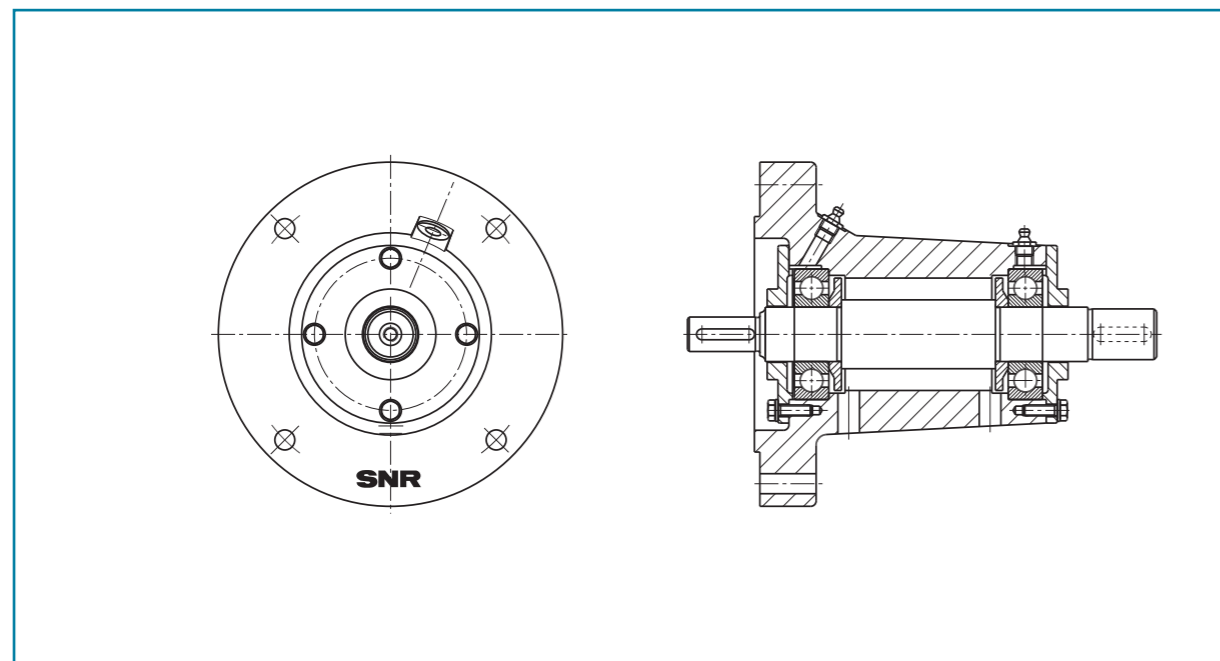
Floating bearing

Design A
Housing for shaft ends



Design B
Housing for through shafts

shaft d	bearing housing code number	dimensions [mm]													fastening and mounting		housing weight ca. kg	bearing housing equipment					
		a	b	c	e	f	h	h ₁	l	l ₁	m	n	u	v	G	x		suitable bearing	Adapter sleeve	locating ring number	code number	labyrinth ring	cover
300	SD 3164 TSAF	880	330	115	23	23	320	630	370	-	750	200	43	60	M 36	120	340	23164 K	H 3164	2	FR 540/10	TS 64	TSA 64
	SD 3164 TSAL									-													
	SD 3164 TSBF									372													
	SD 3164 TSBL									372													
320	SD 3168 TSAF	950	360	120	24	24	340	675	400	-	810	220	43	62	M 36	155	380	23168 K	H 3168	2	FR 580/10	TS 68	TSA 68
	SD 3168 TSAL									-													
	SD 3168 TSBF									402													
	SD 3168 TSBL									402													
340	SD 3172 TSAF	1000	360	120	30	30	350	695	400	-	840	220	43	62	M 36	160	420	23172 K	H 3172	2	FR 600/10	TS 72	TSA 72
	SD 3172 TSAL									-													
	SD 3172 TSBF									402													
	SD 3172 TSBL									402													
360	SD 3176 TSAF	1040	360	120	30	30	360	715	400	-	870	220	43	62	M 36	165	490	23176 K	H 3176	2	FR 620/10	TS 76	TSA 76
	SD 3176 TSAL									-													
	SD 3176 TSBF									402													
	SD 3176 TSBL									402													
380	SD 3180 TSAF	1120	390	125	30	30	380	755	430	-	950	240	50	70	M 42	170	570	23180 K	H 3180	2	FR 650/10	TS 80	TSA 80
	SD 3180 TSAL									-													
	SD 3180 TSBF									432													
	SD 3180 TSBL									432													
400	SD 3184 TSAF	1170	420	130	35	35	410	810	460	-	1000	260	50	70	M 42	190	610	23184 K	H 3184	2	FR 700/10	TS 84	TSA 84
	SD 3184 TSAL									-													
	SD 3184 TSBF									462													
	SD 3184 TSBL									462													



Auxiliary range

Automatic lubricator

With the introduction of SNR grease bushings bearing faults caused by lack of grease or excess grease are now a thing of the past. A manually adjustable, constant grease volume supply ensures every bearing position operates perfectly for up to twelve months.

The grease bushing is available with all SNR standard greases. It is explosion-proof and can be mounted into any position.

More information about this can be found in the SNR Maintenance Services catalogue.

SNR LUB greases

The SNR Maintenance catalogue provides you with information on the most important technical and physical properties of the SNR standard grease.

It makes it easier for you to select a lubricant for your particular application.

SNR induction heating devices

With these devices the operator can heat bearing inner rings quickly and reliably. The heating process enables easier mounting and increases the service life of the bearings.

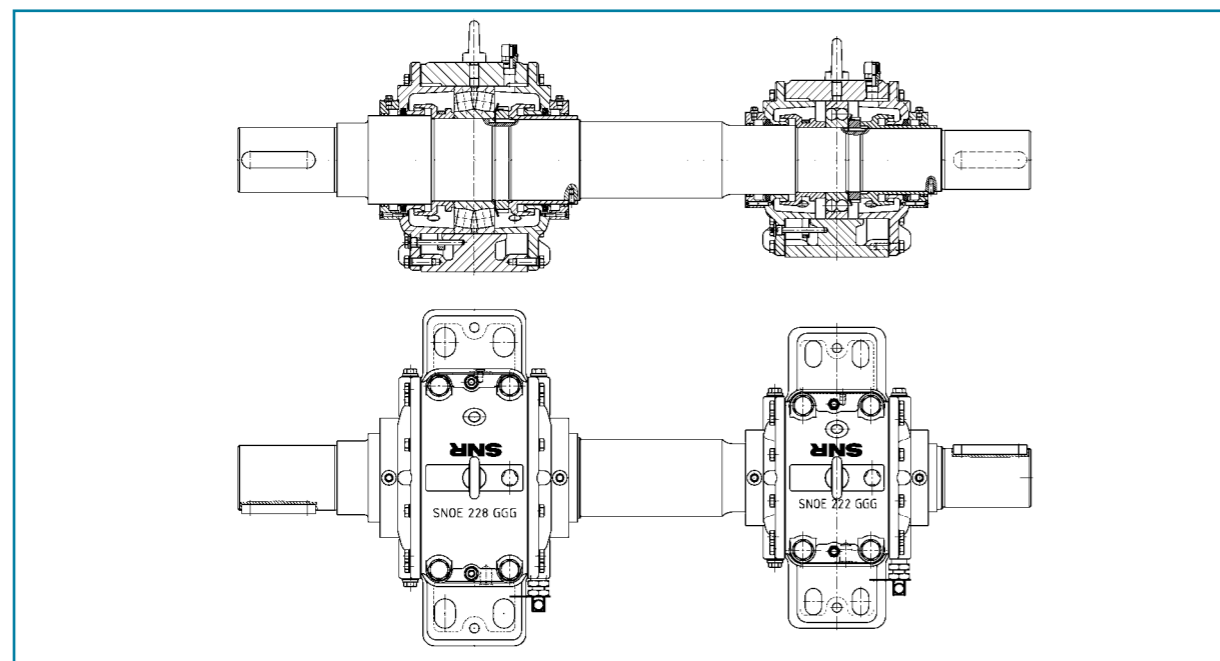
Even sealed and greased bearings can be heated with the aid of induction heating devices.

SNR offers different devices for various sizes of bearings.

SNR bearings in PREMIER quality

SNR PREMIER self-aligning roller bearings are designed for applications in which high loads, severe imbalance, dirt, shocks and vibrations can occur. To improve on the excellent performance and reliability of the series, the SNR PREMIER self-aligning roller bearings have been optimised in terms of their load ratings and service life. By using high-purity steels, optimizing the internal construction and improving the manufacturing methods, the load ratings have been successfully increased by 18%, bringing a 75% rise in the service life.

To find out more about SNR's PREMIER quality self-aligning roller bearings, ask for your catalogue.



SNR special bearings / -systems

Next to our varied standard range we also develop special bearings and bearing systems in close coordination with our customers from every branch of industry. Therefore we use non-standard materials or change housing designs after customer requirements.

As you can see the SNR service not only extends to bearing design, but also on complete bearing units, i.e. completed housings with shafts mounted by us!

SNR : BEARING HOUSINGS

There is a great variety of bearing housing applications in the field of machine- and plant engineering. In most cases technical requirements and environmental conditions influence the design of the housing, the choice of the bearing and specification of the sealing system. The wide assortment of SNR bearing housings offers always an adequate and efficient solution for the installation in your machinery.

